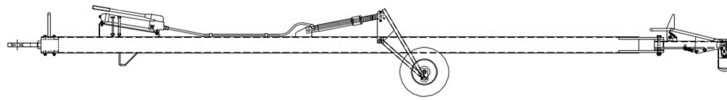




## Operation & Service Manual



**Model: A003830D**  
**Boeing 747 Towbar**

12/2014 – Rev. 01

REVISION  
01

DATE  
12/2014

TEXT AFFECTED  
Original release

**TABLE OF CONTENTS**

	<b><u>PAGE</u></b>
<b>1.0 PRODUCT INFORMATION.....</b>	<b>1</b>
1.1 DESCRIPTION.....	1
1.2 MODEL & SERIAL NUMBER.....	1
1.3 MANUFACTURER.....	1
<b>2.0 SAFETY INFORMATION.....</b>	<b>1</b>
2.1 USAGE AND SAFETY INFORMATION.....	1
2.2 SHEAR BOLTS.....	1
<b>3.0 TRAINING.....</b>	<b>1</b>
3.1 TRAINING REQUIREMENTS.....	1
3.2 OPERATOR TRAINING.....	1
<b>4.0 OPERATION.....</b>	<b>1</b>
4.1 RAISING AND LOWERING.....	1
4.2 ATTACHING TO AIRCRAFT.....	2
4.3 ATTACHING TO TRACTOR.....	2
<b>5.0 MAINTENANCE.....</b>	<b>2</b>
5.1 GENERAL.....	2
<b>6.0 PROVISION OF SPARES.....</b>	<b>2</b>
6.1 SOURCE OF SPARE PARTS.....	2
6.2 RECOMMENDED SPARE PARTS LISTS.....	2
<b>7.0 IN SERVICE SUPPORT.....</b>	<b>2</b>
<b>8.0 GAURANTEES/LIMITATION OF LIABILITY.....</b>	<b>3</b>

Tronair towbars/heads must only be used with matching Tronair heads/towbars, and Tronair shear pins.

This product can not be modified without the written approval of Tronair, Inc. Any modifications done without written approval voids all warranties and releases Tronair, Inc., its suppliers, distributors, employees, or financial institutions from any liability from consequences that may occur. Only Tronair OEM replacement parts shall be used.

## **1.0 PRODUCT INFORMATION**

### **1.1 DESCRIPTION**

This towbar is designed to push or pull all Boeing 747 aircraft equipped with a standard nose gear. The following operational instructions are only intended to familiarize the operator with the basic functions of the towbar. They are not intended to teach actual pushback procedures or techniques.

### **1.2 MODEL & SERIAL NUMBER**

Reference nameplate on unit

### **1.3 MANUFACTURER**

**TRONAIR, Inc.**  
1740 Eber Road  
Holland, Ohio 43528-9794 USA

Telephone: (419) 866-6301 or 800-426-6301  
Fax: (419) 867-0634  
E-mail: sales@tronair.com  
Website: www.tronair.com

## **2.0 SAFETY INFORMATION**

### **2.1 USAGE AND SAFETY INFORMATION**

To insure safe operations please read the following statements and understand their meaning. Also refer to your equipment manufacturer's manual for other important safety information. This manual contains safety precautions which are explained below. Please read carefully.



**WARNING!** — Warning is used to indicate the presence of a hazard that **can cause severe personal injury, death, or substantial property damage** if the warning notice is ignored.

**CAUTION!** — Caution is used to indicate the presence of a hazard that **will or can cause minor personal injury or property damage** if the caution notice is ignored.

### **2.2 SHEAR BOLTS**

The towbar is also equipped with shear bolts that are designed to shear when the design limits of the aircraft nose gear are reached. One set of spare shear bolts has been provided with the towbar.

#### **WARNING!**



**NEVER** use other bolts in place of factory supplied shear bolts, aircraft damage may result! In the event that the shear bolts should fail during operation, carefully inspect all parts of the towbar for damage before replacing the shear bolts and returning the towbar to service.

## **3.0 TRAINING**

### **3.1 TRAINING REQUIREMENTS**

The employer of the operator is responsible for providing a training program sufficient for the safe operation of the towbar.

### **3.2 OPERATOR TRAINING**

The operator training should provide the required training for safe operation of the towbar.

**NOTE: Maintenance and Trouble Shooting are to be performed by a skilled and trained technician.**

## **4.0 OPERATION**

### **4.1 RAISING AND LOWERING**

The towbar is equipped with a hand-operated hydraulic pump/tank which supplies a flow of hydraulic oil to a single acting hydraulic cylinder. This cylinder raises or lowers the wheel carriage assembly to which the tires are attached.

#### **To raise the towbar:**

1. Make sure the fill cap on the tank is in the "vent" position and the small control valve located on the side of the pump is in the complete closed (clockwise) position
2. Actuate the pump handle until the desired elevation is achieved
3. To lower the unit, turn the control valve handle counter-clockwise until hydraulic oil flows back into the tank and allows the cylinder to retract
4. Close the valve when the towbar has reached the desired elevation

## 4.0 OPERATION (continued)

### 4.2 ATTACHING TO AIRCRAFT

The towbar is equipped with a pin type attachment head. When attached properly it will allow the aircraft to be pushed or pulled safely.

#### To attach the towbar to the aircraft:

1. Raise or lower the towbar so that it is level to the ground and at the same height as the nose gear attachment point
2. Open the pins by disengaging the safety latch and pulling up on the large handle crossbar
3. Position the upper and lower head plates on the nose gear and secure the head by pushing down on the crossbar until the safety catch is latched

### 4.3 ATTACHING TO TRACTOR

The towbar is equipped with a towing eye that swivels to eliminate any possible binding due to irregular terrain or camber changes in the aircraft nose gear during pushback or towing operations.

#### To attach the towbar to the tractor:

1. Raise or lower the towbar so that it is level with the ground and at the same height as the tractor hitch point
2. Position the lunette eye into the hitch opening and secure the hitch pin according to the tractor manufacturer's instructions



#### CAUTION!

The towbar can be safely towed on typical ramp surfaces up to 15 MPH. Exceeding this speed may result in damage to the towbar

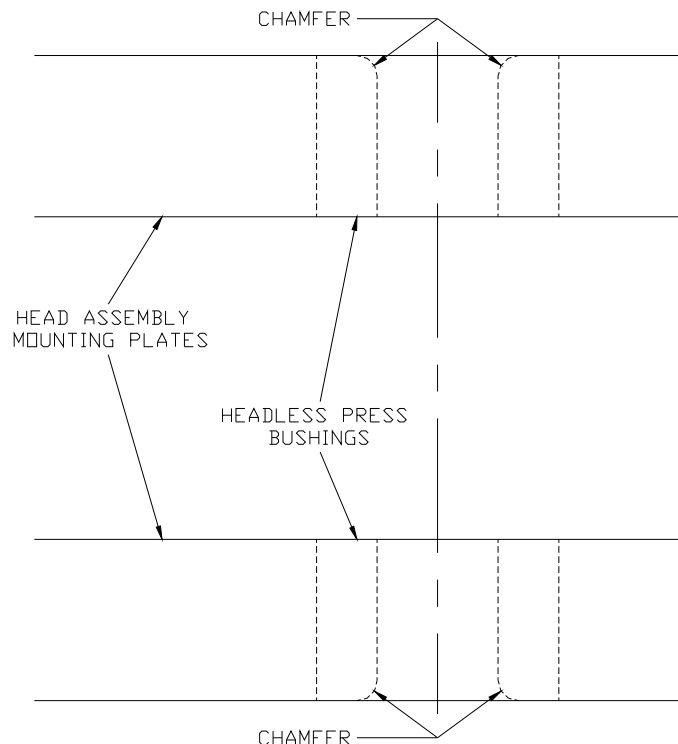
## 5.0 MAINTENANCE

### 5.1 GENERAL

Towbar maintenance should be done at least once every three months or sooner depending on usage.

1. Check shear bolts for wear or a partial shear and replace if necessary. Check bolts by rotating them and looking for movement of the shear plates at the same time
2. Check shear plates for seizing from corrosion and apply a fresh coating of Permatex anti-seize lubricant or equivalent when installing a new head assembly or shear bolts
3. Check tire pressure and inspect for wear or damage
4. Check the hydraulic fluid in the reservoir and maintain the correct level
5. Check for hydraulic leaks
6. Check all nuts, bolts and screws for tightness
7. Check the unit overall for wear or damage
8. Grease hubs through zerker provided in hub

**Note: When pressing in new headless press bushings for the shear bolts, assure the chamfer is as shown.**



## 6.0 PROVISION OF SPARES

### 6.1 SOURCE OF SPARE PARTS

Spare parts may be obtained from the manufacturer:

**TRONAIR, Inc.**  
1740 Eber Road  
Holland, Ohio 43528-9794 USA

Telephone: (419) 866-6301 or 800-426-6301  
Fax: (419) 867-0634  
E-mail: sales@tronair.com  
Website: www.tronair.com

### 6.2 RECOMMENDED SPARE PARTS LISTS

Reference the following page(s) for Replacement Parts and Kits available.

## 7.0 IN SERVICE SUPPORT

Contact Tronair, Inc. for technical services and information. See Section 1.3 – Manufacturer.

## 8.0 GAURANTEES/LIMITATION OF LIABILITY

Tronair products are warranted to be free of manufacturing or material defects for a period of one year after shipment to the original customer. This is solely limited to the repair or replacement of defective components. This warranty does not cover the following items:

- a) Parts required for normal maintenance
- b) Parts covered by a component manufacturers warranty
- c) Replacement parts have a 90-day warranty from date of shipment

If you have a problem that may require service, contact Tronair immediately. Do not attempt to repair or disassemble a product without first contacting Tronair, any action may affect warranty coverage. When you contact Tronair be prepared to provide the following information:

- a) Product Model Number
- b) Product Serial Number
- c) Description of the problem

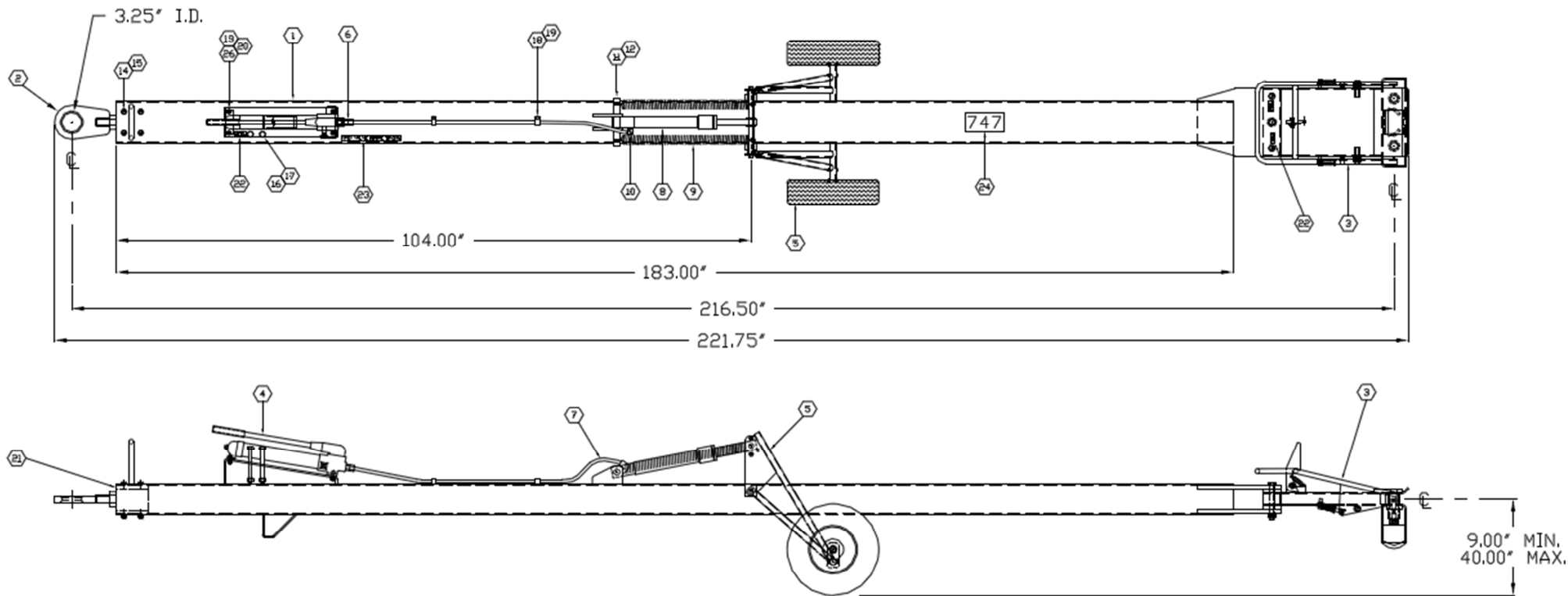
If warranty coverage is approved, either replacement parts will be sent or the product will have to be returned to Tronair for repairs. If the product is to be returned, a Return Material Authorization (RMA) number will be issued for reference purposes on any shipping documents. Failure to obtain a RMA in advance of returning an item will result in a service fee. A decision on the extent of warranty coverage on returned products is reserved pending inspection at Tronair. Any shipments to Tronair must be shipped freight prepaid. Freight costs on shipments to customers will be paid by Tronair on any warranty claims only. Any unauthorized modification of the Tronair products or use of the Tronair products in violation of cautions and warnings in any manual (including updates) or safety bulletins published or delivered by Tronair will immediately void any warranty, express or implied.

The obligations of Tronair expressly stated herein are in lieu of all other warranties or conditions expressed or implied. **Any unauthorized modification of the Tronair products or use of the Tronair products in violations of cautions and warnings in any manual (including updates) or safety bulletins published or delivered by Tronair will immediately void any warranty, express or implied and Tronair disclaims any and all liability for injury (WITHOUT LIMITATION and including DEATH), loss or damage arising from or relating to such misuse.**

This page left blank intentionally

**Parts List**

When ordering replacement parts/kits, please specify model, serial number and color of your unit.





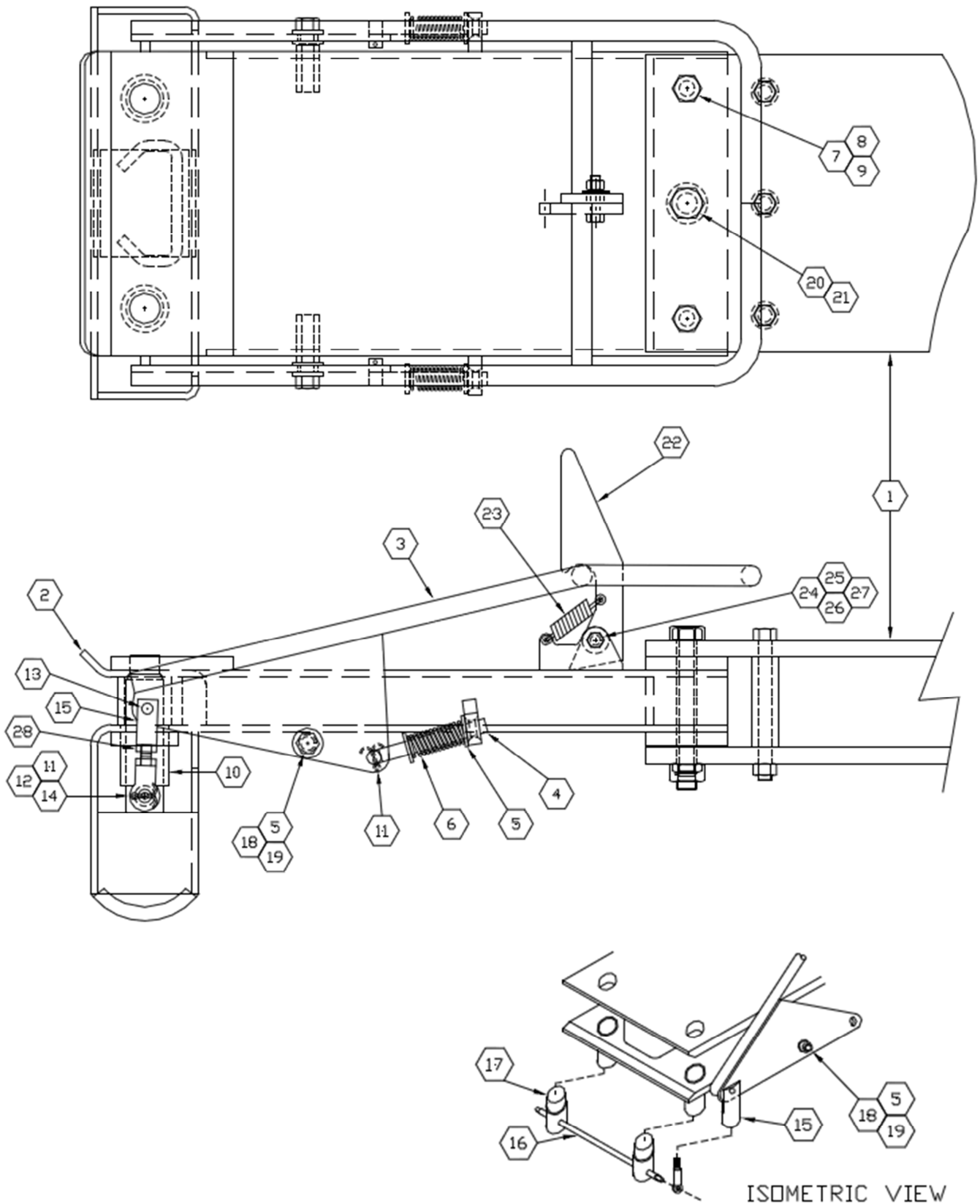
### Parts List

When ordering replacement parts/kits, please specify model, serial number and color of your unit.

Item	Part Number	Description	Qty
1	W005641B	Chassis Tube Weldment	1
2	A002574A	Swivel Lunette Assembly	1
3	A004075B	Towing Pin Head Assembly	1
4	H006322	Mod. Hand Pump	1
5	A003163A	Wheel Carriage Assembly	1
6	H002112	3/8" NPT x 1/4" F Str. Hyd. Swivel	1
7	A002646A	Hyd. Hose Assembly	1
8	H005115	Hydraulic Cylinder	1
9	H005116	Spring	2
10	H001445	1/4" x 90 deg. Hydraulic Street Swivel	1
11	P054191A	1" Cylinder Mounting Pin	1
12	H001148	3/16" x 1-1/2" Lg. Cotter Pin	2
13	H001251	3/8" NC x 1-1/4" Lg. Capscrew	4
14	H001388	1/2" NC x 6" Lg. Capscrew	7
15	H001001	1/2" NC Nylok Nut	4
16	H005198	9/16" NF x 5-1/2" Lg. Shear Bolt	2
17	H002722	9/16" NF Nylok Jam Nut	2
18	H001300	1/2" Vinyl Coated Clamp	2
19	H005650	1/4" x 1.00" AB Sheet Metal Screw	2
20	H001010	3/8" NC Nylok Nut	4
21	P057367A	Spacer Flat	2
22	H005871	Label, Shear Bolt	3
23	H005872	Label, Open Valve Before Towing	1
24	P064825A	Label, 747	1
25	P061548A	Tube, Spacer	3
26	H001008	3/8" Flat Washer	2

**Parts List**

When ordering replacement parts/kits, please specify model, serial number and color of your unit.



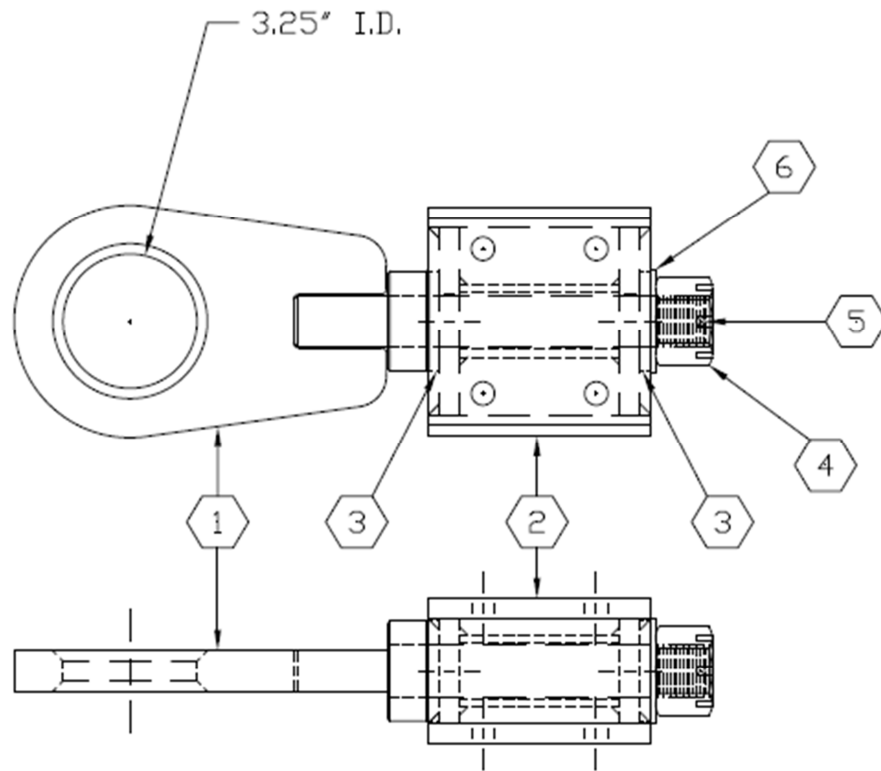
### Parts List

When ordering replacement parts/kits, please specify model, serial number and color of your unit.

Item	Part Number	Description	Qty
	<b>A004075B</b>	<b>Towing Pin Head Assembly; consists of:</b>	
1	W005218B	Chassis Tube Weldment	REF
2	W005356B	Head Weldment	1
3	W005357A	Handle Weldment	1
4	W005358A	Overcentering Rod Weldment	2
5	H001421	1/2" SAE Washer	6
6	H001136	Spring	2
7	H005198	9/16" NF x 5-1/2" Lg. Shear Bolt	2
8	H002722	9/16" NF Nylok Jam Nut	2
9	H005882	9/16"x 7/8" x 3/4" Lg. Headless Press Bushing	4
11	H002242	1/8" x 1" Lg. Cotter Pin	4
12	P061657A	3/8" NF Female Rod End	2
13	H002830	3/8" x 1" Lg. Roll Pin	2
14	P054543A	3/8" NF Threaded Stud	2
15	P057179A	Guide Clevis	2
16	P054545A	Towing Pin Control Rod	1
17	P054546A	Towing Pin	2
18	H001104	1/2" NC x 1-1/4" Lg. Nylok Capscrew	2
19	P060375A	Bushing Tube	2
20	P201323A	3/4" NC x 5-1/2" Lg. Retaining Bolt	1
21	H004942	3/4" NC Nylok Jam Nut	1
22	P060982A	Latch Flat	1
23	P050754A	Spring	1
24	H001073	3/8" NC x 1-1/2" Lg. Capscrew	1
25	H001010	3/8" NC Nylok Nut	1
26	H001008	3/8" Flat Washer	1
27	P059761A	Spacer Tube	1
28	H001403	3/8" NF Nut	4

**Parts List**

When ordering replacement parts/kits, please specify model, serial number and color of your unit.

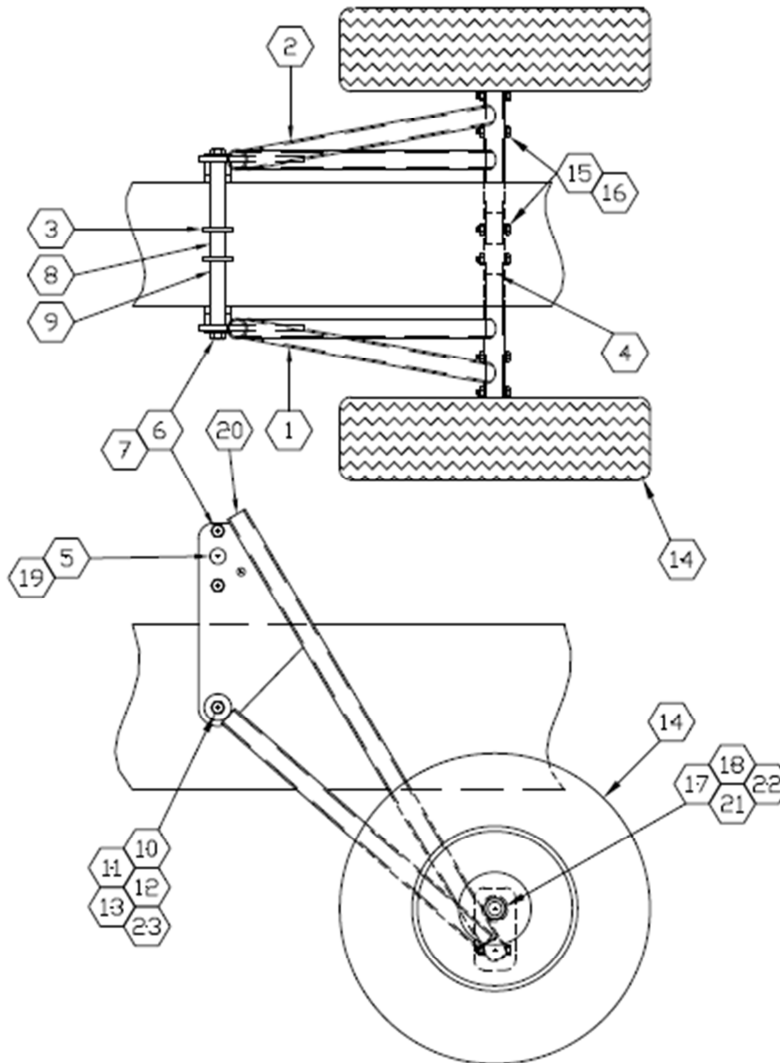


Item	Part Number	Description	Qty
	<b>A002574A</b>	<b>Swivel Lunette Assembly; consists of:</b>	
1	W003887A	Hitch Pin Weldment	1
2	W003888A	Pin Block Weldment	1
3	P054190A	Pivot Washer	2
4	H001177	1-1/4" NF Slotted Nut	1
5	H001219	3/16" x 2" Lg. Cotter Pin	1
6	H004701	1-1/4" SAE Washer	1

*This page left blank intentionally.*

**Parts List**

When ordering replacement parts/kits, please specify model, serial number and color of your unit.



Item	Part Number	Description	Qty
	<b>A003163A</b>	<b>Wheel Carriage Assembly; consists of:</b>	
1	W003889A	LH Wheel Plate Weldment	1
2	W003890A	RH Wheel Plate Weldment	1
3	P054192A	Hydraulic Cylinder Mounting Plate	2
4	P054193A	Spindle Tube Connector	1
5	P054194A	Cylinder Mounting Pin	1
6	P054195A	Spacer Mounting Rod	2
7	H001001	1/2" NC Nylok Nut	4
8	P054196A	Spacer Tube	2
9	P054197A	Spacer Tube	4
10	P054198A	Wheel Assembly Washer	2
11	P054199A	Sleeve Bushing	2
12	P054200A	Wheel Assembly Mounting Rod	1
13	H001251	3/8" NC x 1-1/4" Lg. Capscrew	2
14	H005813	Tire & Rim, 4.80 x 8, Pneumatic	2
15	H001154	1/4" NC x 1-3/4" Lg. Capscrew	6

**Parts List**

When ordering replacement parts/kits, please specify model, serial number and color of your unit.

Item	Part Number	Description	Qty
16	H001027	1/4" NC Nylok Nut	6
17	W004605A	Offset Axle Weldment	2
18	H001286	3/4" NF Slotted Nut	2
19	H001109	1/8" x 1-1/2" Lg. Cotter Pin	2
20	H005060	1" Plastic Plug	2
21	H004923	3/4" 18 GA NR Machinery Bushing	2
22	H001148	3/16" x 1-1/2" Lg. Cotter Pin	2
23	H004977	3/8" Lock Washer	2
24	H001164	1.00 x 14 Ga. NR Machinery Bushing	REF
25	H001296	Grease Zerk	2