



Model: 95P10AR
Two Stage Hydraulic
Aviation Floating
Auto-Retract Axle Jack
S/N 263 and Up

12/2018 – Rev. 01

REVISION
01

DATE
12/2018

TEXT AFFECTED
Original release

TABLE OF CONTENTS

PAGE

1.0	PRODUCT INFORMATION	4
1.1	DESCRIPTION.....	4
1.2	MODEL & SERIAL NUMBER.....	4
1.3	MANUFACTURER	4
1.4	SPECIFICATIONS	4
1.5	PROTECTIVE DEVICES	4
2.0	SAFETY INFORMATION.....	5
2.1	USAGE AND SAFETY INFORMATION	5
3.0	PREPARATION PRIOR TO FIRST USE	5
4.0	TRAINING	5
4.1	TRAINING REQUIREMENTS	5
4.2	TRAINING PROGRAM	5
4.3	OPERATOR TRAINING	5
5.0	OPERATION	6
5.1	PRE OPERATION INSPECTION.....	6
5.2	OPERATING PROCEDURES.....	6
6.0	TROUBLE SHOOTING	7
7.0	MAINTENANCE.....	8
7.1	SERVICING	8
7.2	DISASSEMBLY INSPECTION.....	9
7.3	OVERHAUL INSTRUCTIONS.....	9
7.4	SPECIAL INSTALLATIONS	10
7.5	TESTING:	11
8.0	PROVISION OF SPARES.....	12
8.1	SOURCE OF SPARE PARTS.....	12
8.2	SPECIAL TOOLS.....	12
8.3	RECOMMENDED SPARE PARTS LISTS	12
9.0	IN SERVICE SUPPORT.....	14
10.0	GUARANTEES/LIMITATION OF LIABILITY	14
11.0	APPENDICES	14

This product can not be modified without the written approval of Tronair, Inc. Any modifications done without written approval voids all warranties and releases Tronair, Inc., its suppliers, distributors, employees, or financial institutions from any liability from consequences that may occur. Only Tronair OEM replacement parts shall be used.



CAUTION!

Aircraft manufacturer's specifications and instructions must be followed. In the event of contradiction between aircraft manufacturer's specifications and Malabar's, aircraft manufacturer's will prevail.

1.0 PRODUCT INFORMATION

1.1 DESCRIPTION

The Malabar Floating Auto-Retract Axle Jack Model 95P10AR is a 95 ton capacity two stage telescoping hydraulic jack designed primarily for use in jacking the main and/or nose landing gear of various aircraft. The hydraulic cylinder retracts automatically after each use. Simple and easy single valve control for aircraft raising and lowering. The jack consists of a two stage cylinder assembly mounted on a spherical bearing (this bearing allows the jack ship adapter to follow the arc of the aircraft jack point, thus greatly reducing the stress on the jack's cylinder assembly as well as the aircraft axle and strut), base assembly, frame/reservoir assembly, valve block assembly, hand pump assembly, control console and the following optional equipment:

- Low flow air pump
- High flow air pump
- Load gauge
- Low flow air pump Lubricator
- High flow air pump Lubricator
- Rain hat
- 2 inch extender (for 747 NLG)

Leaf centering springs retain cylinder assembly in the center position while under no load. The jack is mounted on two swivel casters at the rear and a retractable wheel at the front to provide portability. A tow handle readily connects to tow vehicle for ease of transport. Raising or lowering the tow handle retracts or extends the front wheel through a linkage, thus controlling ground clearance for towing. The jack is rated at 5 mph (8 km/h) towing speed. Excessive speed may cause excessive wear and/or damage to the jack.

1.2 MODEL & SERIAL NUMBER

Reference nameplate on unit

1.3 MANUFACTURER

Malabar International
 1 Air Cargo Pkwy East
 Swanton, Ohio 43558 USA

Telephone: (419) 866-6301 or 800-426-6301
 E-mail: sales@malabar.com
 Website: www.malabar.com

1.4 SPECIFICATIONS

Rated Capacity95 tons (86.2 m. tons)
 Low Height.....10.5 in (267 mm)
 Hydraulic Lift.....10.88 in (276 mm)
 Extension Screw4.62 in (117 mm)
 Total Extended Height.....26 in (660 mm)
 Oil Pressure at Rated Capacity8000 psig (562.5 kg/sq cm)
 Safety Pop-off Valve set at.....100.7 ton (91.4 m. tons)
 Proof Load118 ton (107 m. tons)
 Floor Loading at Rated Capacity1020 psi (71.7 kg/sq cm)
 Reservoir Capacity.....5.5 gal (20.8 l)
 Hydraulic FluidMIL-PRF-5606 or equivalent
 Maximum Towing Speed.....5 mph (8 km/h)
 Approximate Jack Net Weight580 lbs (263 kg)

1.5 PROTECTIVE DEVICES

- A safety pop-off valve is incorporated in the jack (located in the valve block) to prevent lifting of loads in excess of 100.7 tons (91.4 m. tons).
- A velocity fuse is incorporated in the jack to prevent rapid retraction of the plungers in the event of hydraulic line rupture.
- The extension screw has a positive stop to prevent it from being extended beyond its safe thread engagement.
- An optional load gauge can be installed in order to monitor the approximate load being raised.
- An accumulator relief valve is incorporated in the accumulator hydraulic system to prevent over pressurizing of this system.

2.0 SAFETY INFORMATION

2.1 USAGE AND SAFETY INFORMATION

To insure safe operations please read the following statements and understand their meaning. Also refer to your equipment manufacturer's manual for other important safety information. This manual contains safety precautions which are explained below. Please read carefully.



WARNING!

Warning is used to indicate the presence of a hazard that can cause **severe personal injury, death, and/or substantial property damage** if the Warning Notice is ignored.



CAUTION!

Caution is used to indicate the presence of a hazard, which will or can cause **minor personal injury or property damage** if the Caution Notice is ignored.

3.0 PREPARATION PRIOR TO FIRST USE

1. The accumulator system does not require any preparation for use.
2. The jack is shipped without hydraulic fluid in the reservoir. Do not operate air or hand pumps until reservoir is filled with hydraulic fluid MIL-PRF-5606 or approved equivalent. Remove filler cap and fill reservoir to mark on dipstick (reservoir capacity is approximately 5.5 gallons/20.8 liters). Plungers must be fully retracted before filling reservoir. Replace filler cap.
3. Open release valve and operate hand pumps a few strokes to bleed all air trapped under hand pumps.
4. Close release valve and operate hand pump to raise plungers approximately 1 inch.
5. Open release valve to retract plungers fully to bleed all air trapped under jack plungers. Close release valve.
6. Loosen bleed plug to prime air pump. Slowly operate air pump to bleed trapped air and re-tighten bleed plug.

4.0 TRAINING

4.1 TRAINING REQUIREMENTS

The employer of the operator is responsible for providing a training program sufficient for the safe operation of the unit.

4.2 TRAINING PROGRAM

The employer provided operator training program should cover safety procedures concerning use of the unit in and around the intended aircraft at the intended aircraft servicing location.

4.3 OPERATOR TRAINING

The operator training should provide the required training for safe operation of the unit.

NOTE: Maintenance and Trouble Shooting are to be performed by a skilled and trained technician.

5.0 OPERATION

5.1 PRE OPERATION INSPECTION

Each time the jack is to be used, inspect the following:

1. Check jack structure for rigidity. Make sure all bolts are tightened.
2. Check hydraulic line connections for leaks. Tighten as required.
3. Check for hydraulic fluid leaks around the cylinder assembly, reservoir, air pump and hand pumps.
4. Check hand pumps for proper operation.
5. Check caster wheels for proper operation.
6. Check reservoir fluid level with jack plungers fully retracted.
7. Check tow handle let-down feature for proper operation.

5.2 OPERATING PROCEDURES

1. Position the jack under the appropriate jacking pad of the aircraft. Positioning of tow handle in either full-up or full-down position will lower jack for minimum ground clearance.



CAUTION!

Do not extend extension screw against aircraft jack pad with the plungers fully retracted.

2. Raise the extension screw by turning counterclockwise until the ship adapter is 1/2" to 1" from aircraft jacking pad or as far as the screw will travel (4.62 inches maximum). The optional 2 inch extender (48 ton maximum capacity) can be used when jacking 747 NLG. Place the extender over the fully raised extension screw and verify that it sits flat on the inner plunger before jacking.
3. Close the release valve located on control console.

CAUTION!



On jack equipped with air pump, air relief valve must be installed at all times. If air relief valve is removed, it is possible to over pressurize the pneumatic system which could cause equipment failure and possible bodily injury.

4. On jack equipped with air pump, connect air supply (90-110 psig) to the 3/8 NPT air inlet (for low flow air pump) or the 1/2 NPT air inlet (for high flow air pump) near the air valve on the control console (A minimum of 28 scfm is required for the low flow air pump or a minimum of 56 scfm is required for the high flow air pump). Air relief valve must be properly installed. Do not attempt to remove air relief valve.
5. The jack is equipped with two hand pumps. One with 3/4 inch diameter pump plunger for rapid raising of jack plungers under low pressure and one with 7/16 inch diameter pump plunger for high pressure operation. The hand pumps can be operated by placing pump handle over the end of the pump fulcrum and operating either the low or high pressure hand pump.
6. Operate air valve or either hand pump to raise plungers until the ship adapter contacts the jacking pad.

Note: A small amount of fluid wetting is normal on manual hand pump plungers. Periodically clean to remove accumulated grease or foreign material.

7. Insure ship adapter and jacking pad are correctly mated.
8. To raise the load:
 - a. Operate the air valve or either hand pump as required.
 - b. Do not lift a load greater than the rated capacity of 95 tons (86.2 m. tons). The approximate load being lifted can be read in tons on the load gauge. Read load on lower stage scale when only outer plunger is extended. Read load on upper stage scale when inner plunger is extended. Fluid pressure in psig may be read on outer scale for gauge calibration.
9. To lower the load:
 - a. Slowly open the release valve to lower the load. The speed of lowering is controlled by the amount the release valve is open. Note: It is important to lower the load slowly. Retracting the plungers too fast will cause the velocity fuse to close and prevent plungers from retracting. Should this occur, close release valve, operate either pump to reset velocity fuse and then open release valve again slowly. Plungers will retract fully, automatically.
10. Lower extension screw. Close release valve. Cover jack when not in use.

6.0 TROUBLE SHOOTING

TROUBLE	PROBABLE CAUSE	REMEDY
Jack will not raise	Release valve open (Oil passing back into reservoir)	Close valve firmly
	Intake valve open. (Oil passing back into reservoir)	Pump rapidly to flush dirt off
	Discharge valve open (Oil passing back into pump chamber)	Pump rapidly to flush dirt off
	Sticking intake valve	Remove pump from jack base. Unscrew valve block. Clean or replace valve
	Clogged screen	Remove and clean
	Lack of oil. Air under plunger	Refill. Check for leaks. Bleed air out by opening release valve. Pump rapidly a few times and close release valve
Jack will not raise to full height	Lack of oil	Refill, check for leaks
	Sticking intake valve	Remove pump from jack base. Unscrew valve block. Clean or replace ball valves. Re-tighten or repair
Jack will not raise capacity load	High pressure leaks (At pump or release valve)	Reseat valve
	Leaky release valve	Reseat valve and clean valve block
Jack raises and falls during each stroke	Leaky discharge valve	Tighten or replace ball valve or packing
Jack will not hold up load	Leaky release valve	Reseat valve
	Defective "O" ring and back up ring	Remove plunger and replace "O" ring and back up ring
Jack will not lower the load	Damaged release valve	Remove and replace parts as needed
	Bent plunger	Replace
Jack will not close completely	Air under plunger	Bleed air out. Open release valve and pump rapidly several times. Close valve
Handle stroke only partly effective	Air in pump chamber	Open release valve and pump rapidly several times. Close valve
	Sticking intake valve	Remove pump and clean valve block
	Clogged screen	Remove and clean
Handle raises without effort	Leaky intake valve	Remove pump and clean valve block
Handle snaps back	Sticking intake valve	Open release valve. Pump rapidly several times. Close valve
	Clogged screen	Remove and clean

7.0 MAINTENANCE

7.1 SERVICING

Servicing the jack consists primarily of the following:

1. When in use, the reservoir should be kept at the proper hydraulic fluid level. Check with plungers fully retracted.
2. Grease casters and wheel as required.
3. Lubricate hand pump pivot pins and tow handle linkage.
4. On jack equipped with pump lubricator, fill lubricator with SAE #10 oil.
5. If the jack has been put into storage or has not been used, the plungers must be fully extended and retracted every 90 days to exercise the seals. A portion of the lift should be operated by the air pump and a portion by the hand pumps.
6. Procedure to verify or recharge GN2 pressure in accumulator (Note: Under normal operating conditions, the accumulator system should not require servicing for 3 years):
 - a. Open release valve on control console.
 - b. Open accumulator shutoff valve located underneath the frame.
 - c. Attach accumulator test gauge assembly, Malabar tool P/N 872845 (0-300 psig) to accumulator charging valve located on top of the accumulator. Verify test gauge reads 140 ± 5 psig. If necessary, charge accumulator using GN2 until test gauge reads 140 ± 5 psig.
 - d. Close accumulator shutoff valve.
 - e. Close release valve on control console.
 - f. Disconnect Malabar tool P/N 872845 from accumulator.
 - g. Immediately proceed to step 7 below.
7. Procedure to recharge hydraulic fluid pressure in accumulator:
 - a. Open release valve on control console.
 - b. Open accumulator shutoff valve located underneath the frame.
 - c. Remove cap from test port located behind control console.
 - d. Attach hose and test gauge assembly, Malabar tool P/N 872839 (0-600 psig) to test port.
 - e. Close release valve on control panel.
 - f. Operate air pump or either hand pump to extend plungers to near full extended height. Now slowly operate hand pump only until plungers just reach full extension. At this point pressure will build up rapidly so proceed cautiously. Slowly operate hand pump until test gauge reads 340 ± 10 psig.



CAUTION!

Rapid pumping at this time will over pressurize and damage the test gauge.

- g. Firmly close accumulator shutoff valve. Verify that the test gauge reads 340 ± 10 psig just prior to the valve fully seating.
 - h. Open release valve on the control console.
 - i. Remove hose and test gauge assembly tool P/N 872839.
 - j. Replace cap on test port.
8. Procedure to verify or adjust accumulator relief valve:

CAUTION!



The accumulator relief valve, located under the reservoir, should not be disturbed unless absolutely necessary. The relief valve is set at the factory to bypass hydraulic fluid to atmosphere at 550 ± 25 psig.

- a. Open release valve on control console.
 - b. Open accumulator shutoff valve located underneath the frame.
 - c. Remove cap from test port located behind the control console.
 - d. Attach hose and test gauge assembly tool, Malabar P/N 872839 (0-600 psig) to test port.
 - e. Remove accumulator relief valve deflector cap.
 - f. Close release valve on control panel.
 - g. Operate air pump or either hand pump to extend plungers to near full extended height. Now slowly operate hand pump only until plungers just reach full extension. At this point pressure will build up rapidly, so proceed cautiously. Slowly operate hand pump and verify accumulator relief valve by-passes hydraulic fluid to atmosphere at 550 ± 25 psig.



CAUTION!

Rapid pumping at this time will over pressurize and damage the test gauge.

- h. If adjustment is required, insert a standard 5/32 inch hex key wrench into the locking screw.
 - i. Break loose locking screw counterclockwise until the hex key wrench slides into the adjusting screw.
 - j. Turn both screws together to the desired by-pass pressure of 550 ± 25 psig. (Clockwise increases bypass pressure).
 - k. Retract hex key wrench into the locking screw.
 - l. Lock locking screw against adjusting screw by turning clockwise.
 - m. Replace accumulator relief valve deflector cap.
 - n. Lower pressure reading to 340 ± 10 psig by opening release valve.

7.1 SERVICING (continued)

- o. Firmly close accumulator shutoff valve. Verify that the test gauge reads 340 ± 10 psig just prior to the valve fully seating.
- p. Open release valve on control console.
- q. Remove hose and test gauge assembly tool P/N 872839.
- r. Replace cap on test port.

7.2 DISASSEMBLY INSPECTION



CAUTION!

The safety pop-off valve, located in the valve block, should not be removed unless absolutely necessary. The valve is set and sealed at the factory to by-pass hydraulic fluid back to the reservoir at 4-6% above the rated capacity of 95 tons. If adjustment is required, see procedure in 7.5 Testing.

When necessary to disassemble the jack, drain all hydraulic fluid from reservoir and carefully inspect the following:

1. Inspect interior walls of jack cylinder and hand pump cylinders for smoothness and freedom from rust, nicks, scratches and excessive wear.
2. Inspect exterior walls of jack plungers for smoothness and freedom of rust, pits and excessive wear.
3. Check extension screw, cylinder, plungers, etc., for corrosion, wear and condition of threads.
4. Verify that the extension screw has a positive stop to prevent it from being extended beyond its safe thread engagement.
5. Inspect packings, seals, gaskets and wipers in the cylinder assembly and hand pumps for cuts, scratches, deterioration and distortion.
6. Inspect stop rings for excessive scoring and/or wear.
7. Check hand pump oil screens by removing valve block and verifying cleanliness.
8. Check air pump oil screen located inside reservoir by removing reservoir cover and verifying cleanliness.
9. Inspect valves and valve seats in the valve block for scratches, dents and proper seating of the balls.
10. Inspect all pivot pins for wear, cracks, pits or evidence of damage or pending damage.
11. Inspect all areas for excessive dirt, oil, dust and chips.

7.3 OVERHAUL INSTRUCTIONS

No definite time schedule can be established for the overhaul of the jack for replacement of the various moving parts. The number of times the jack is raised and lowered and the amount of load raised at each operation materially affect the life of the working parts. Do not overload the jack. Overloading is dangerous, will hasten the need for overhaul and may damage the jack. During overhaul, replace all parts that do not pass disassembly inspection requirements. Regardless of apparent condition, replace all parts marked with (◆) in the parts breakdown. A repair parts kit (P/N 95P10ARPK) which contains all of the parts marked with (◆) is available and recommended to keep on hand at your facility. A cylinder assembly seal kit (P/N 95P10ARSK) contains only the seals needed to rebuild the cylinder assembly.

1. To disassemble cylinder assembly:
 - a. Open release valve located on control console.
 - b. Open accumulator shutoff valve located underneath the frame.
 - c. Remove outer stop ring using spanner wrench (P/N 880481) and remove outer o-ring.
 - d. The inner plunger, outer plunger, and extension screw may now be carefully removed as a unit using extension screw lifting tool (P/N 880482). Do not cut or damage any of the seals.
 - e. Remove inner stop ring using spanner wrench (P/N 880480) and remove inner o-ring.
 - f. Remove inner plunger and extension screw from outer plunger carefully. Do not cut or damage any of the seals.
 - g. Remove inner plunger diaphragm retaining ring and diaphragm from bottom of inner plunger.
 - h. Remove extension screw roll pins and screw extension screw down through inner plunger.
2. Should it be necessary to remove cylinder from base, proceed as follows:
 - a. Remove hydraulic hose from top portion of cylinder.
 - b. Remove hydraulic hose, velocity fuse and nipple from lower portion of cylinder.
 - c. Remove cap screws, lockwashers and bars from the top of the base (4 places).
 - d. Remove cap screws, lockwashers and centering springs from the side of the base (4 places).
 - e. Cylinder may now be removed from the base.
 - f. Remove cylinder diaphragm from cylinder using spanner wrench (P/N 86305T).
 - g. Do not loosen or remove the two setscrews and jam nuts at the side of the base.



CAUTION!

When reassembling cylinder assembly (see figure 3), ensure cylinder (P/N 880408), outer plunger (P/N 885504), inner plunger (P/N 885506), cylinder diaphragm (P/N 880420), inner plunger diaphragm (P/N 880415) and extension screw (P/N 880418) all have an 'H' stamp on the bottom (for high heat treat). If no 'H' is stamped on bottom of these parts, do not reassemble, contact Malabar for further instruction.

7.3 OVERHAUL INSTRUCTIONS (*continued*)

3. Replace all worn or damaged seals. No special tools are required. If replacement of diaphragm seal (P/N 880417) is necessary, follow the installation diagram. Lubricate all seals and cylinder walls with hydraulic fluid MIL-PRF-5606 or approved equivalent.
4. When necessary to disassemble the jack:
 - a. Replace all defective parts.
 - b. Clean all metal parts with clean solvent and dry with compressed air.
 - c. Lubricate all threads. Use teflon tape carefully on all pipe threads. Remove excess tape because it can clog valves and passages.
 - d. If ball valves, located in valve block, do not seat properly, they may be reseated by tapping the ball into the valve seat with a brass rod cupped at one end.
 - e. Should any malfunction occur in the velocity fuse, return to factory for repair or replacement.

7.4 SPECIAL INSTALLATIONS

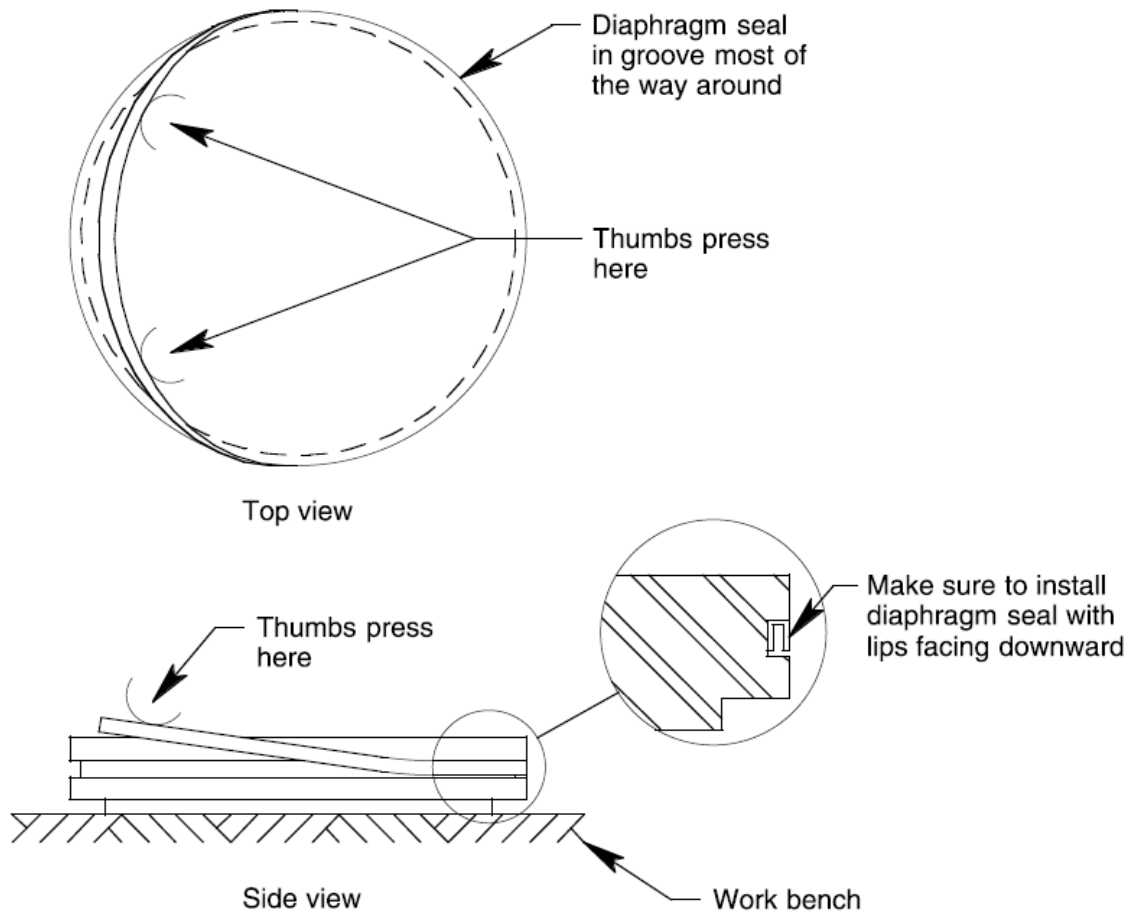
Procedure to install new diaphragm seal:

1. Clean diaphragm with clean solvent and dry with compressed air. All parts and your hands should be clean for the next operation.
2. The diaphragm seal is to be installed firmly and quickly as explained in the installation diagram. Oily parts or hands will make the job more difficult.



CAUTION!

This is a Teflon jacketed seal with a thin stainless steel energizer spring. Handle carefully so you do not damage the seal lips, jacket and/or spring. The seal must be installed as shown below. Remember that the lips of the seal are towards the pressure. Recheck before proceeding



Installation diagram for diaphragm seal (P/N 880417)

7.0 MAINTENANCE *(continued)*

7.5 TESTING:

Place jack in a load indicating test fixture. Make sure the test adapter is 3/4 inch male spherical radius. Operate hand pump to extend outer plunger fully and inner plunger partially. Make sure ship adapter and test adapter are correctly mated. Load test the jack at rated capacity of 95 tons. If the jack fails to operate properly, check for trouble as indicated in 6.0 Trouble Shooting. With plungers extended and supporting the capacity load, allow the jack to stand for 10 minutes. Any excess settling indicates leakage in the hand pump, check valves or jack packing seals. Check for hydraulic fluid leaks and replace all defective parts.

If adjustment is required for the safety pop-off valve, perform the following procedure:

1. Cut, remove and discard lead & wire seal (figure 4, item 39).
2. Remove plug (figure 4, item 35). Close release valve (figure 1C, item 31).
3. Place jack in a load indicating test fixture. Make sure the test adapter is 3/4 inch male spherical radius. Operate hand pump to extend plungers against the test adapter. Make sure ship adapter and test adapter are correctly mated.
4. While operating the hand pump, adjust set screw (figure 4, item 29) until the safety pop-off valve by-passes hydraulic fluid back to the reservoir at 98.8 to 100.7 tons.
5. Replace plug (figure 4, item 35). Once more operate hand pump to verify correct setting.
6. Install new lead & wire seal (figure 4, item 39).
7. Open release valve to relieve pressure.

8.0 PROVISION OF SPARES

8.1 SOURCE OF SPARE PARTS

Spare parts may be obtained from the manufacturer:

Malabar International

1 Air Cargo Pkwy East
 Swanton, Ohio 43558 USA

Telephone: (419) 866-6301 or 800-426-6301

E-mail: sales@malabar.com

Website: www.malabar.com

8.2 SPECIAL TOOLS

Part Number	Description	Qty
880480	Spanner wrench, inner stop ring	1
880481	Spanner wrench, outer stop ring	1
86305T	Spanner wrench, diaphragm	1
880482	Lifting tool, extension screw	1
872845	Accumulator test gauge assembly, 0-300 psig	1
872839	Hose and test gauge assembly, 0-600 psig	1

8.3 RECOMMENDED SPARE PARTS LISTS

The following spare parts are recommended and available upon request. Reference the following page(s) for Replacement Parts and Kits available.

Part Number	Description	Qty
95P10ARPK	Repair parts kit	1
492-012	Swivel Caster	2
492-002	Wheel	1
86399F	Valve block and hand pump assembly	1
55001	Fulcrum	2
886659	Plunger, 7/16 dia	1
886658	Body, 7/16 dia	1
886657	Plunger, 13/16 dia	1
886656	Body, 13/16 dia	1
86376	Pump handle	1
86392	Bumper	1
52526	Spring	1
86350	Yoke	1
86351	Yoke pin	1
86371	Cushion tube	1
86329	Hydraulic hose	1
873840	Hydraulic hose	1
86339	Breather cap & dipstick	1
85416	Release valve	1
424-004	Bypass valve	1
86367	Cross check valve	1
424-005	Drain cock valve	1
423-037	Relief valve	1
423-038	Deflector cap	1
86320A	Ship adapter	1
880410	Inner stop ring	1
880416	Outer stop ring	1

8.3 RECOMMENDED SPARE PARTS LISTS (*continued*)

Part Number	Description	Qty
86323	Centering spring set	2
495-043	Spring	2
86328	Velocity fuse	1
86321	Base pad	1
55991-26	Placard, tonnage, 95 ton	1
872835	Placard, instruction	1
86396	Placard, release valve	1
885595	Placard, aircraft	1
55998	Sticker, Malabar	1
55994	Sticker, fluid	1
75940	Sticker, towing	1
75942	Sticker, floating	2
* 86387	Low flow air pump	1
* 441-022	Seal kit, low flow air pump	1
* 421-005	Air valve (used with low flow air pump)	1
* 472-001	Muffler (used with low flow air pump)	1
* 880463	High flow air	1
* 441-160	Seal kit, high flow air pump	1
* 421-029	Air valve (used with high flow air pump)	1
* 472-002	Muffler (used with high flow air pump)	1
* 425-001	Air relief valve	1
* 481-002	Oil screen	1
* 885550	Load gauge	1
* 880437	Hydraulic pressure hose	1
* 471-001	High flow air pump Lubricator	1
* 471-002	Low flow air pump Lubricator	1

* Optional equipment – These parts required only when supplied with jack

9.0 IN SERVICE SUPPORT

Contact Malabar, Inc. for technical services and information. See Section 1.3 – Manufacturer.

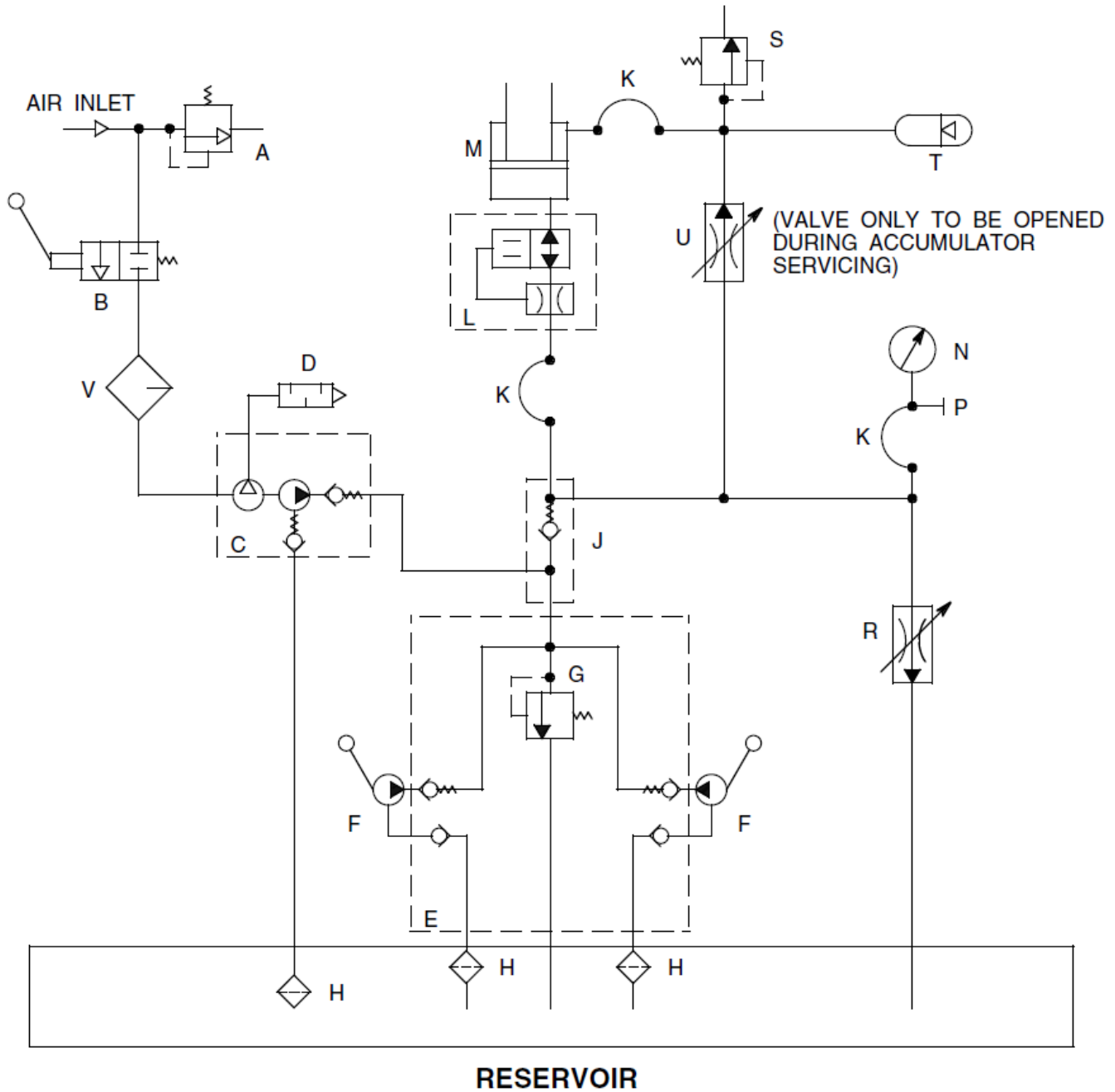
10.0 GUARANTEES/LIMITATION OF LIABILITY

- I. Seller warrants each new product of its manufacture to be free from defects in material or workmanship, under proper, reasonable, and normal use and service.
- II. The warranty period shall be as follows:
 - A. For Malabar equipment, with the exception of Tripod Jacks, the warranty period is one (1) year after date of shipment.
 - B. For Malabar Tripod Jacks, the warranty period is three (3) years after date of shipment.
- III. Where Buyer claims an alleged defect in material or workmanship and so advises Seller in writing within ten (10) days after discovery thereof, then and in such event, Buyer shall return said equipment, transportation prepaid, to the Seller, provided such return is timely and within the above-mentioned warranty period. This warranty and liability of the Seller is expressly limited solely to replacement or repair of defective parts or goods, and return at Buyer's expense to Buyer after finding by Seller the product was defective prior to original shipment or, at the option of Seller, to providing refund to Buyer of the purchase price for said product.
- IV. It is further expressly understood and agreed that:
 - A. THERE IS NO WARRANTY, REPRESENTATION OF CONDITION OF ANY KIND, EXPRESS OR IMPLIED, (INCLUDING NO WARRANTY OF MERCHANTABILITY OR OF FITNESS) EXCEPT THAT THE MATERIAL SHALL BE OF THE QUALITY SPECIFIED IN APPLICABLE SPECIFICATIONS, AND NONE SHALL BE IMPLIED BY LAW. Except as otherwise provided herein, quality shall be in accordance with Seller's specifications. Final determination of the material for the use contemplated by Buyer is the sole responsibility of Buyer and Seller shall have no responsibility in connection with such suitability, and
 - B. Buyer's sole and exclusive remedy shall be repair or replacement of defective parts or goods by the Seller. Should the goods, in the judgment of Seller, preclude the remedying of the warranted defects by repair or replacement, the Buyer's sole and exclusive remedy shall be the refund of the purchase price, and
 - C. Seller shall not be liable for prospective profits or special, indirect or consequential damages, nor shall any recovery of any kind against Seller be greater in amount than the purchase price of the specific material sold and causing the alleged loss, damage or injury. Buyer assumes all risk and liability for loss, damage or injury to persons or property of Buyer or others arising out of use or possession of any product or part sold hereunder, and
 - D. Seller shall in no way be deemed or held to be obligated, liable or accountable upon or for any guarantees or warranties, express or implied, or created by statute or by operation of law or otherwise, in any manner of form beyond its express agreement above set forth, and
 - E. No warranty herein shall apply to any product which shall have been repaired or altered, unless such alteration or repair has been made by Seller or if, after return to and inspection by Seller, the product is found by Seller to have been subject to misuse, negligence or accident, and
 - F. No warranty of any nature is made by Seller as to any component forming a part of the product sold and Buyer shall receive only such warranties offered by such other manufacturer of such component, and
 - G. Seller does not assume nor does Seller authorize any other person to assume for it any other liability or make any warranty in connection with the sale of its products.

11.0 APPENDICES

APPENDIX I Safety Data Sheet – MIL-PRF-5606 Hydraulic Fluid

Pneumatic/Hydraulic Diagram



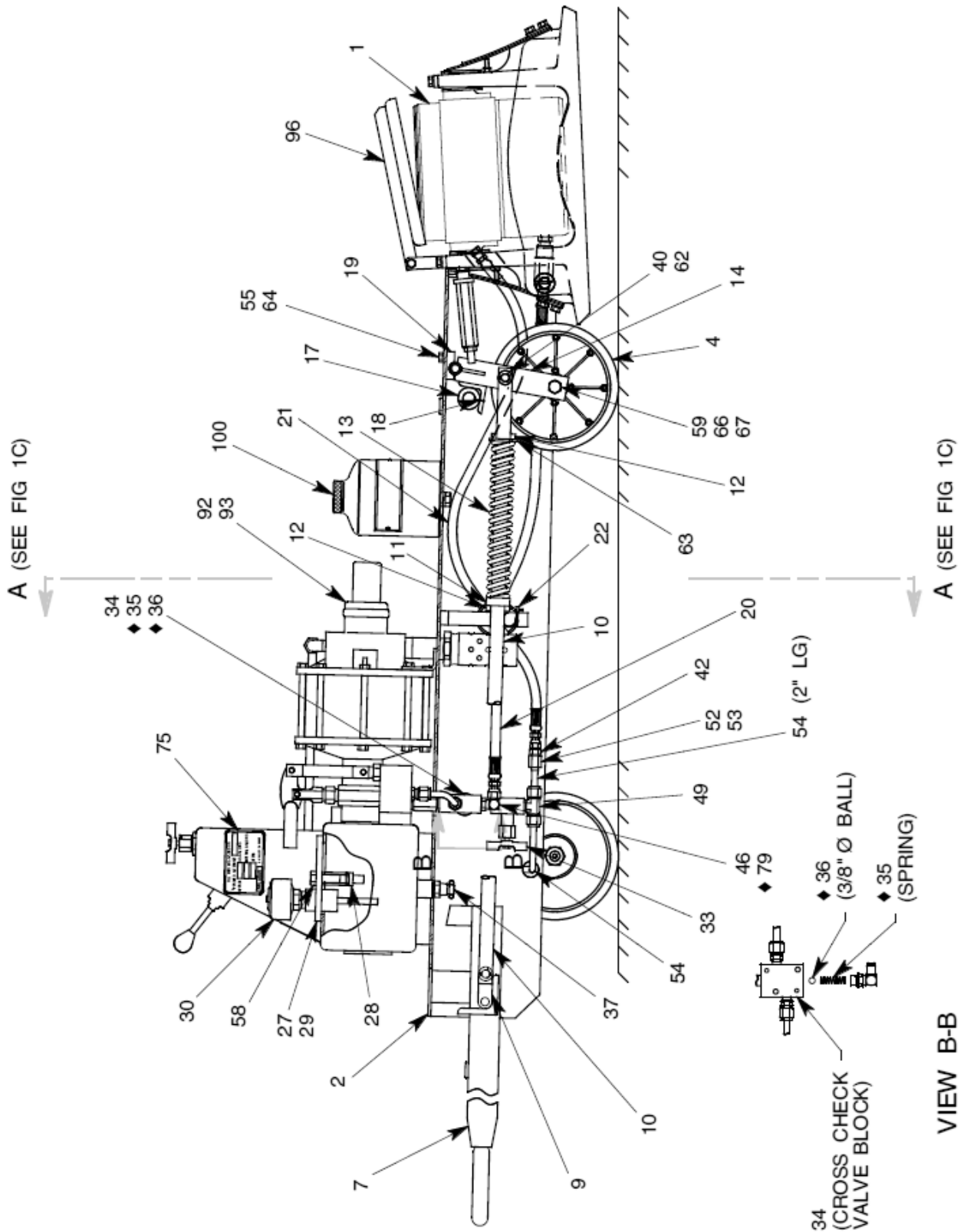
- A - AIR RELIEF VALVE
- B - AIR VALVE
- C - AIR PUMP
- D - MUFFLER
- E - VALVE BLOCK
- F - HAND PUMP
- G - SAFETY POP-OFF VALVE
- H - OIL SCREEN
- J - CROSS CHECK VALVE
- K - HYDRAULIC HOSE

- L - VELOCITY FUSE
- M - CYLINDER ASSEMBLY
- N - LOAD GAUGE
- P - TEST PORT
- R - RELEASE VALVE
- S - ACCUMULATOR RELIEF VALVE
- T - ACCUMULATOR
- U - ACCUMULATOR SHUTOFF VALVE
- V - LUBRICATOR

Parts List – Figure 1A

When ordering replacement parts/kits, please specify model, serial number and color of your unit.

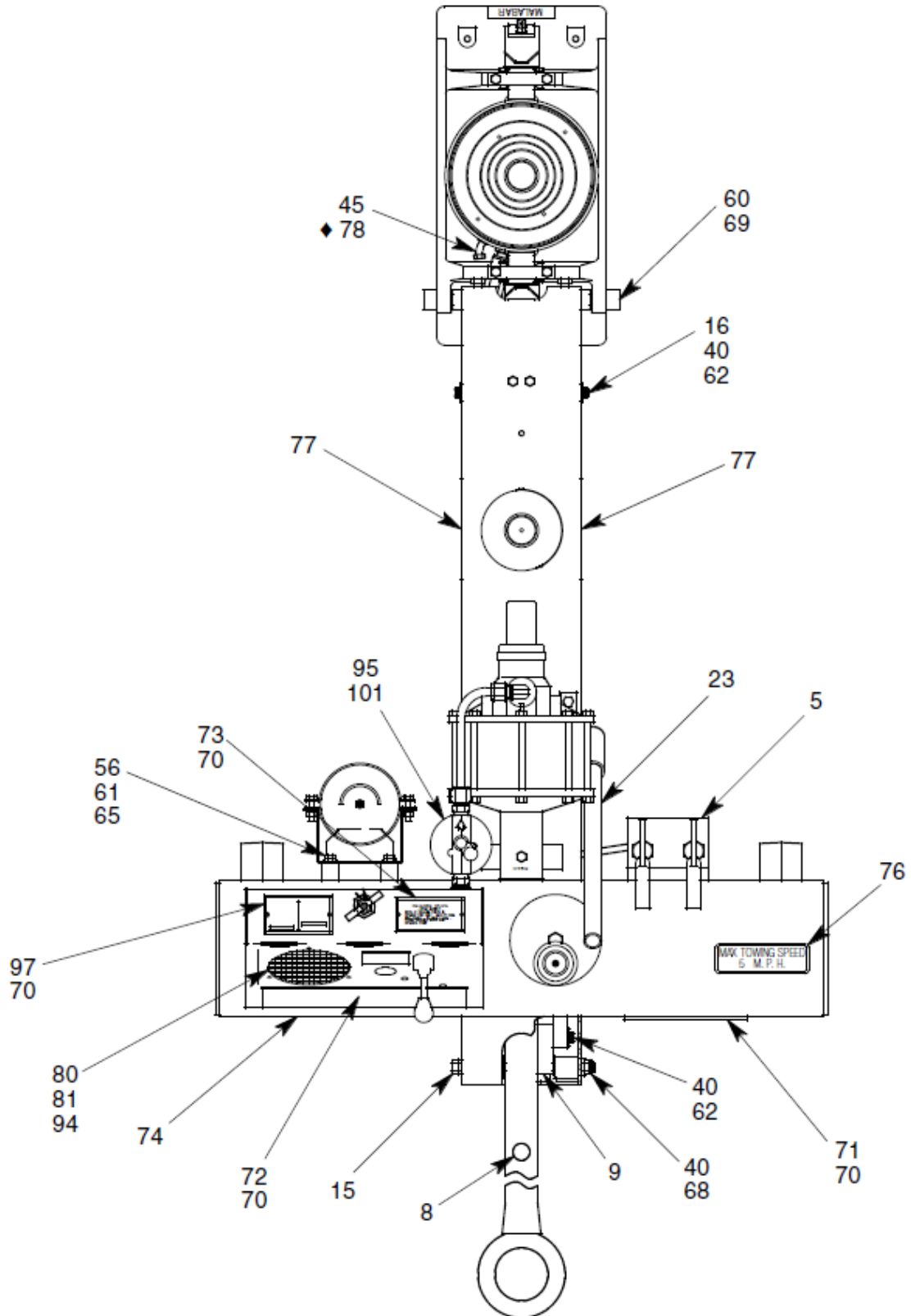
◆ PART OF REPAIR PARTS KIT



Parts List – Figure 1B

When ordering replacement parts/kits, please specify model, serial number and color of your unit.

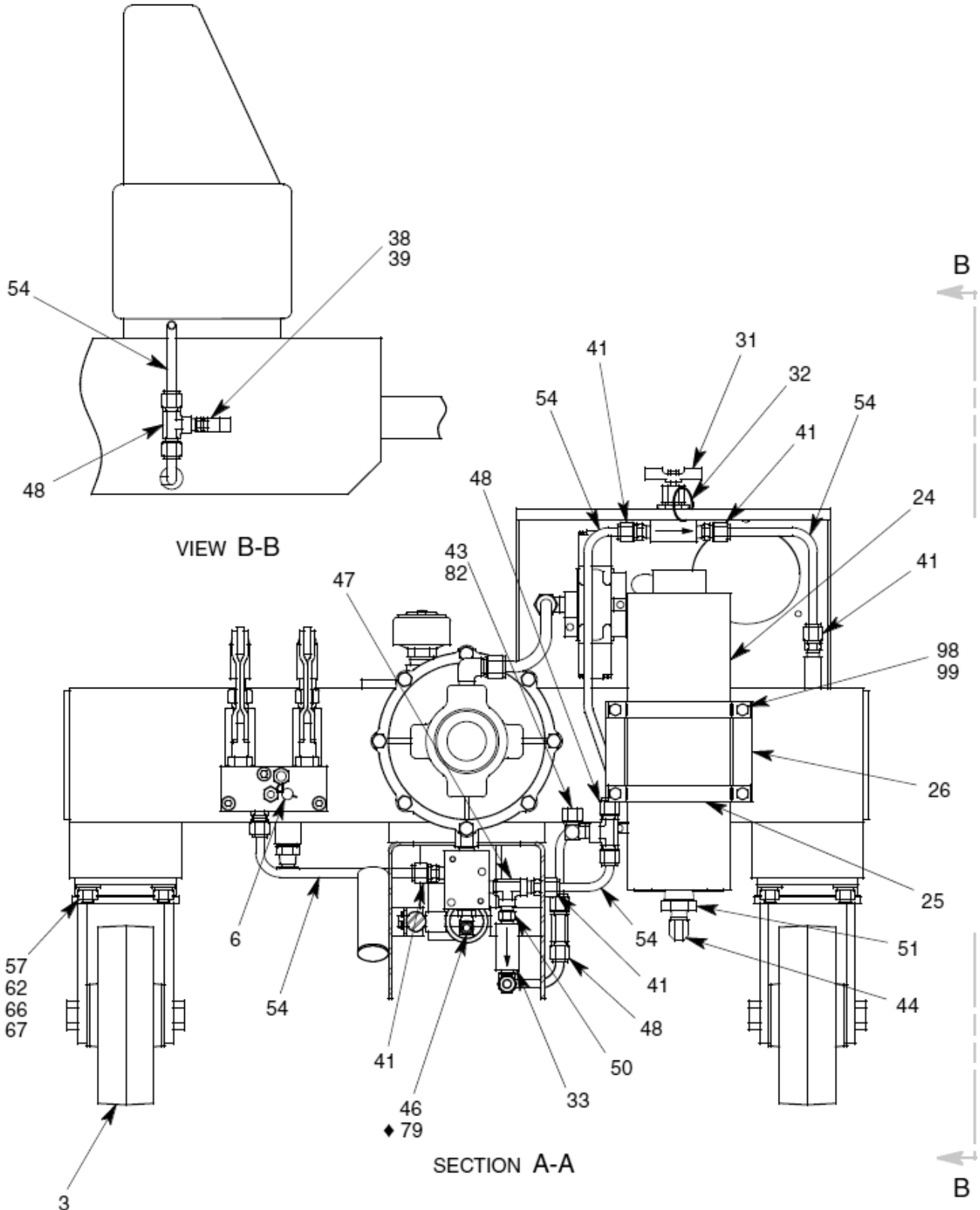
◆ PART OF REPAIR PARTS KIT



Parts List – Figure 1C

When ordering replacement parts/kits, please specify model, serial number and color of your unit.

◆ PART OF REPAIR PARTS KIT



Parts List – Figure 1A-1D

When ordering replacement parts/kits, please specify model, serial number and color of your unit.

Item	Part Number	Description	Qty
1	885598	BASE & CYLINDER ASSY	1
2	880430	FRAME AND RESERVOIR	1
3	492-012	SWIVEL CASTER	2
4	492-002	WHEEL	1
5	86399F	VALVE BLOCK & HAND PUMP	1
6	390-022	LEAD AND WIRE SEAL	1
7	86355	TOW HANDLE	1
8	86392	BUMPER	1
9	86352	LINK	1
10	86353	ROD	1
11	86354	SPRING PUSHER	1
12	371-007	ROLL PIN, 5/16 DIA x 1 1/2 LG	2
13	52526	SPRING	1
14	86350	YOKE	1
15	85414	TOW HANDLE BOLT	1
16	86351	YOKE PIN	1
17	86371	CUSHION TUBE	1
18	491-045	WIRE, .08 DIA x 12" LG	AR
19	86316	YOKE BEARING PAD	1
20	86329	HYDRAULIC HOSE	1
21	873840	HYDRAULIC HOSE	1
22	491-059	CABLE, TIE	1
23	86376	PUMP HANDLE	1
24	490-011	ACCUMULATOR	1
25	874616	ACCUMULATOR STRAP	4
26	874615	ACCUMULATOR MOUNT BRKT	1
27	86361	RESERVOIR COVER	1
28	86378	BRIDGE	1
29	86370	RESERVOIR COVER GASKET	1
30	86339	BREATHER CAP & DIPSTICK	1
31	85416	RELEASE VALVE	1
32	491-044	SAFETY LOCK WIRE, .025 DIA	AR
33	424-004	BYPASS VALVE	1
34	86367	CROSS CHECK VALVE	1
35	79367	SPRING	1
36	412-001	BALL, CHROME STEEL, 3/8 DIA	1
37	424-005	DRAINCOCK VALVE	1
38	423-037	RELIEF VALVE	1
39	423-038	DEFLECTOR CAP	1
40	372-002	COTTER PIN, 3/32 x 1" LG	5
41	721-009	CONNECTOR, 3/8 T x 1/4 MPT	5
42	721-102	CONNECTOR, 1/4 37° X 3/8 37°	2

Parts List – Figure 1A-1D

When ordering replacement parts/kits, please specify model, serial number and color of your unit.

Item	Part Number	Description	Qty
43	722-005	ELBOW, 3/8 37° X 1/4 MPT	1
44	722-010	ELBOW, 3/8 T x 3/8 MPT	1
45	722-093	ELBOW, 45°, 1/4 37° X 1/4 SAE	1
46	722-003	ELBOW, 3/8 37° x 3/8 SAE	1
47	713-012	TEE, RUN, 1/4 NPT	1
48	723-018	TEE, BRANCH, 3/8 T x 1/4 FPT	2
49	723-008	TEE, BRANCH, 3/8 T x 1/4 MPT	1
50	711-003	NIPPLE, 1/4 NPT	1
51	714-005	REDUCER, 1" MPT x 3/8 FPT	1
52	729-016	B-NUT, 3/8 37°	1
53	729-010	SLEEVE, 3/8 37°	1
54	732-010	TUBE, 3/8 OD x .065 WALL x 96"	AR
55	321-029	HHCS, 5/16-18 x 3/4 LG	2
56	321-011	HHCS, 3/8-16 x 1" LG	4
57	321-015	HHCS, 1/2-13 x 1 1/4 LG	8
58	321-039	HHCS, 1/2-13 x 3" LG	1
59	321-055	HHCS, 1/2-13 x 3 1/2 LG	1
60	880446	SCREW PIN	2
61	362-003	FLAT WASHER, 3/8 SAE	4
62	362-005	FLAT WASHER, 1/2 SAE	12
63	362-010	FLAT WASHER, 7/8 SAE THIN	1
64	363-002	SPLIT LOCKWASHER, 5/16	2
65	363-003	SPLIT LOCKWASHER, 3/8	4
66	363-004	SPLIT LOCKWASHER, 1/2	9
67	351-003	HEX NUT, 1/2-13	9
68	357-002	HEX NUT, SLOTTED, 1/2-13	1
69	363-021	HI-COLLAR LK WASH, 3/4	2
70	397-005	SELF TAP SCREW, #4 x 3/16 LG	14
71	55991-26	PLACARD, TONNAGE, 95 TON	1
72	872835	PLACARD, INSTRUCTION	1
73	86396	PLACARD, RELEASE VALVE	1
74	55998	STICKER, MALABAR	1
75	55994	STICKER, FLUID	1
76	75940	STICKER, TOWING	1
77	75942	STICKER, FLOATING	2
78	MS28778-4	O-RING (PART OF ITEM 45)	1
79	MS28778-6	O-RING (PART OF ITEM 46)	1
80	86391	HOLE PLATE (NO GAUGE)	1
81	MS51861-44C	SELF TAP SCR (NO GAUGE)	3
82	717-032	HEX CAP, 3/8 37° (NO GAUGE)	1
83	86336	COVER	1
84	365-004	O-RING SEAL WASHER, 5/16	4

Parts List – Figure 1A-1D

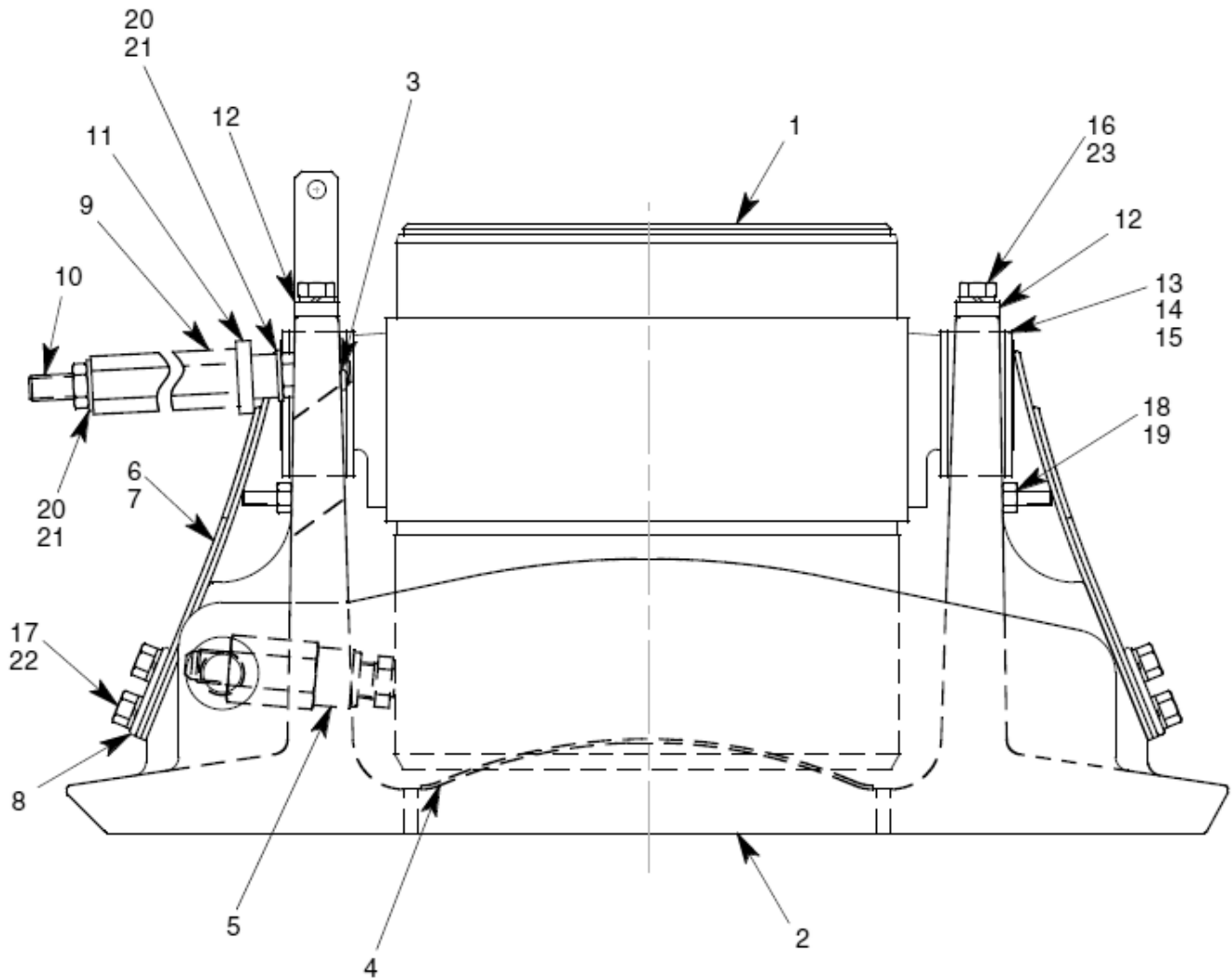
When ordering replacement parts/kits, please specify model, serial number and color of your unit.

Item	Part Number	Description	Qty
85	717-007	PLUG, SOC HD, 3/8 NPT	1
86	86368	PUMP BRACKET	1
87	321-128	HHCS, 5/16-18 x 1 3/4 LG	1
88	321-029	HHCS, 5/16-18 x 3/4 LG	1
89	355-004	LOCKNUT, 5/16-18	6
90	86369	PUMP GASKET	1
91	321-083	HHCS, 5/16-18 x 1" LG	4
92	880460	LOW FLOW AIR PUMP KIT	1
93	880461	HIGH FLOW AIR PUMP KIT	1
94	885551	GAUGE KIT	1
95	880443	HIGH FLOW LUBRICATOR KIT	1
96	880488	RAIN HAT KIT	1
97	885595	PLACARD, AIRCRAFT	1
98	321-085	HHCS, 5/16-18 x 1 1/4 LG	4
99	355-004	HEX LOCKNUT, 5/16-18	4
100	880428	2 INCH EXTENDER KIT	1
101	872843	LOW FLOW LUBRICATOR KIT	1

This page left blank intentionally.

Parts List – Figure 2

When ordering replacement parts/kits, please specify model, serial number and color of your unit.



Parts List – Figure 2

When ordering replacement parts/kits, please specify model, serial number and color of your unit.

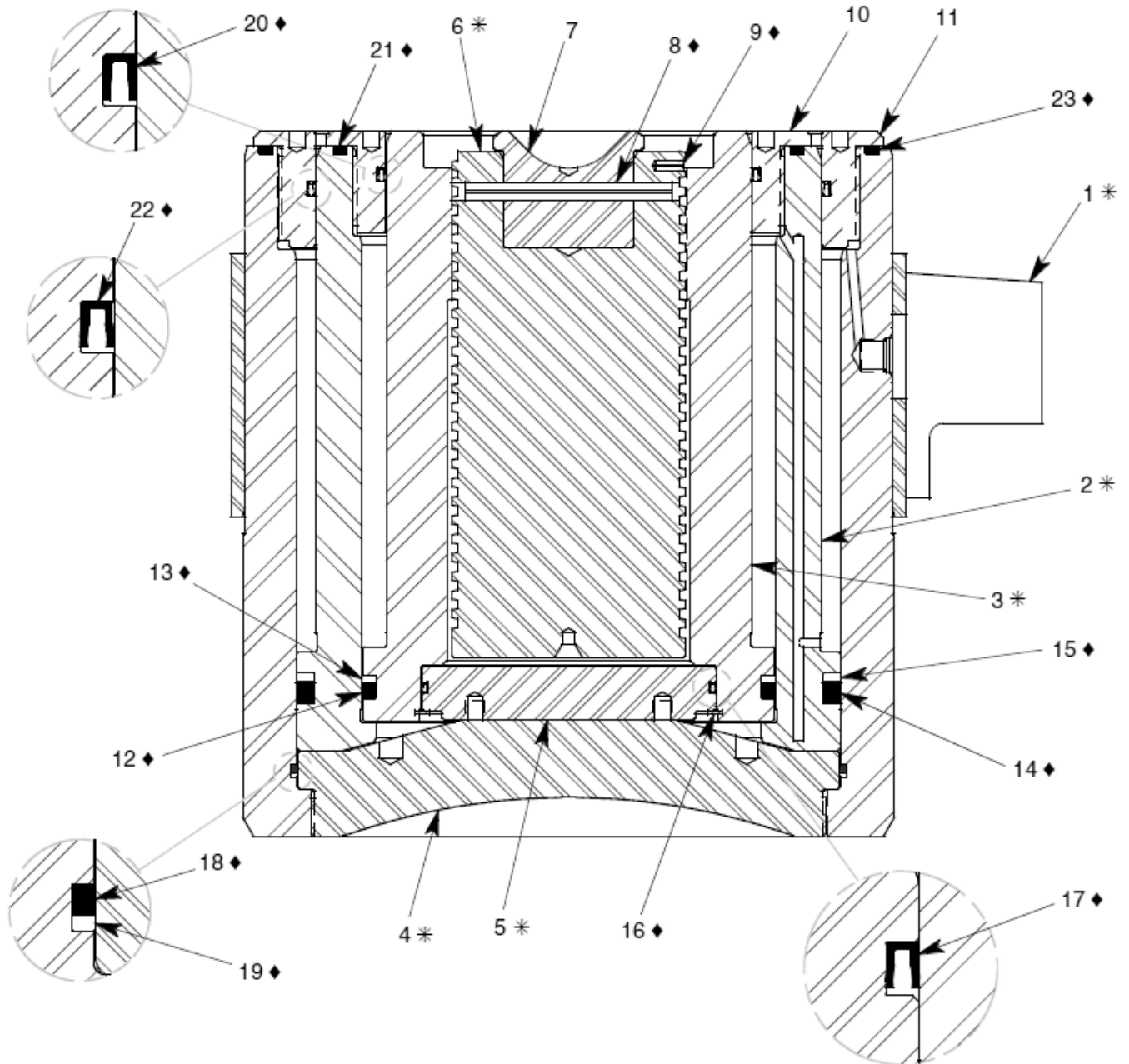
Item	Part Number	Description	Qty
	885598	Base & Cylinder Assembly; consists of:	
1	885599	CYLINDER ASSEMBLY	1
2	880494	BASE	1
3	372-001	COTTER PIN, 3/32 x 3/4 LG	2
4	86321	BASE PAD	1
5	86328	VELOCITY FUSE ASSEMBLY	1
6	86322	SHORT SPRING	2
7	86324	LONG SPRING	2
8	86325	SPRING KEEPER	2
9	880449	SPRING	2
10	86347	STUD HINGE	2
11	86348	SPACER HINGE	2
12	86326	BAR	2
13	886611	SHOE	4
14	86612	SHIM	8
15	86619	SHIM - CUSHION	6
16	321-011	HHCS, 3/8-16 x 1" LG	4
17	321-029	HHCS, 5/16-18 x 3/4 LG	4
18	331-012	SETSCREW, 1/4-20 x 1 3/4 LG	2
19	351-001	HEX NUT, 1/4-20	2
20	352-005	JAM NUT, 7/16-14	4
21	362-004	FLAT WASHER, 7/16	4
22	363-002	LOCKWASHER, 5/16	4
23	363-003	LOCKWASHER, 3/8	4

Parts List – Figure 3

When ordering replacement parts/kits, please specify model, serial number and color of your unit.

◆ PART OF REPAIR PARTS KIT

* PART IS FACTORY STAMPED WITH "H" AT BOTTOM



Parts List – Figure 3

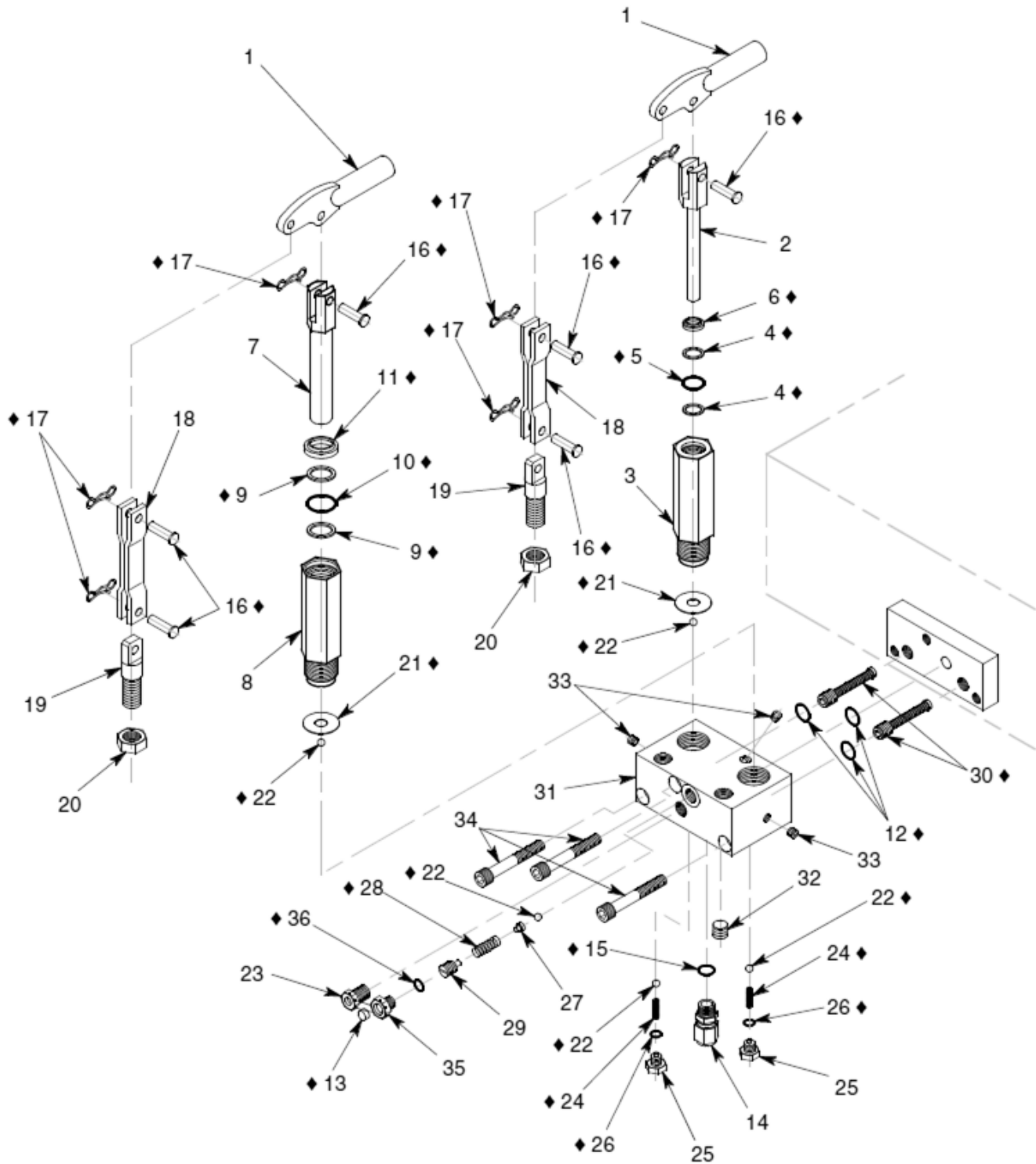
When ordering replacement parts/kits, please specify model, serial number and color of your unit.

Item	Part Number	Description	Qty
	885599	Cylinder Assembly; consists of:	
1	880408	CYLINDER	1
2	885504	OUTER PLUNGER	1
3	885506	INNER PLUNGER	1
4	880420	CYLINDER DIAPHRAGM	1
5	880415	INNER PLUNGER DIAPHRAGM	1
6	880418	EXTENSION SCREW	1
7	86320A	SHIP ADAPTER	1
8	371-061	ROLL PIN, 1/4 x 2 3/4 LG	1
9	371-015	ROLL PIN, 1/8 x 3/8 LG	2
10	880410	INNER STOP RING	1
11	880416	OUTER RING STOP	1
12	55925-354	O-RING	1
13	55929-354	BACK-UP RING	1
14	55925-440	O-RING	1
15	55929-440	BACK-UP RING	1
16	55904-400	RETAINING RING	1
17	880417	DIAPHRAGM SEAL	1
18	55925-168	O-RING	1
19	55929-168	BACK-UP RING	1
20	880421	INNER STOP RING SEAL	1
21	55925-258	O-RING	1
22	880423	OUTER STOP RING SEAL	1

Parts List – Figure 4

When ordering replacement parts/kits, please specify model, serial number and color of your unit.

◆ PART OF REPAIR PARTS KIT



Parts List – Figure 4

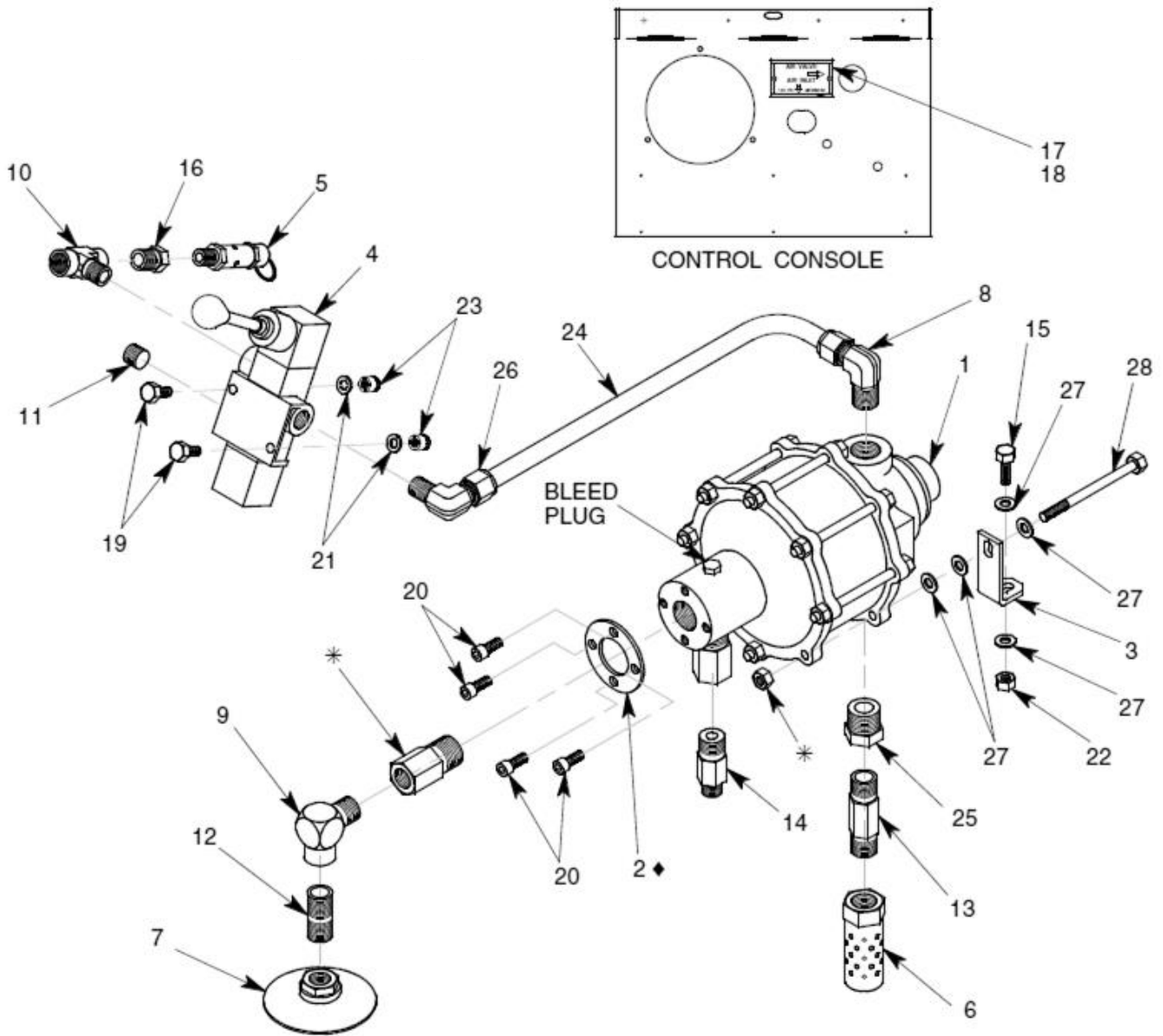
When ordering replacement parts/kits, please specify model, serial number and color of your unit.

Item	Part Number	Description	Qty
	86399F	Valve Block & Hand Pump Assembly; consists of:	
1	55001	FULCRUM	2
2	886659	PLUNGER, 7/16 DIA	1
3	886658	BODY, 7/16 DIA	1
4	55922-9	BACK-UP RING	2
5	55925-111	O-RING	1
6	755-018	WIPER	1
7	886657	PLUNGER, 13/16 DIA	1
8	886656	BODY, 13/16 DIA	1
9	55922-16	BACK-UP RING	2
10	55925-211	O-RING	1
11	755-019	WIPER	1
12	55925-113	O-RING	3
13	390-022	LEAD & WIRE SEAL	1
14	721-005	CONNECTOR, 3/8 T x 3/8 SAE	1
15	MS28778-6	O-RING	1
16	55002	FLAT HEAD PIN, 5/16 DIA	6
17	372-028	BOW TIE COTTER	6
18	55615	LINK	2
19	55011	ANCHOR	2
20	352-004	HEX JAM NUT, 5/8-18	2
21	55024	GASKET	2
22	412-004	STEEL BALL, 1/4 DIA	5
23	717-035	PLUG, HEX HD, 1/4 MPT	1
24	55621	SPRING	2
25	55620	PLUG	2
26	55925-903	O-RING	2
27	55153	GUIDE	1
28	55154H	SPRING	1
29	55148	SET SCREW	1
30	55568	OIL SCREEN	2
31	85425	VALVE BLOCK	1
32	717-006	PLUG, HEX SOC, 1/4 NPT	1
33	717-010	PLUG, HEX SOC, 1/16 NPT	3
34	323-009	SHCS, 3/8-24 x 3" LG	3
35	717-046	PLUG	1
36	55925-904	O-RING	1

Parts List – Figure 5

When ordering replacement parts/kits, please specify model, serial number and color of your unit.

- ◆ PART OF REPAIR PARTS KIT
- * PART OF ITEM NO. 1 (AIR PUMP)



Parts List – Figure 5

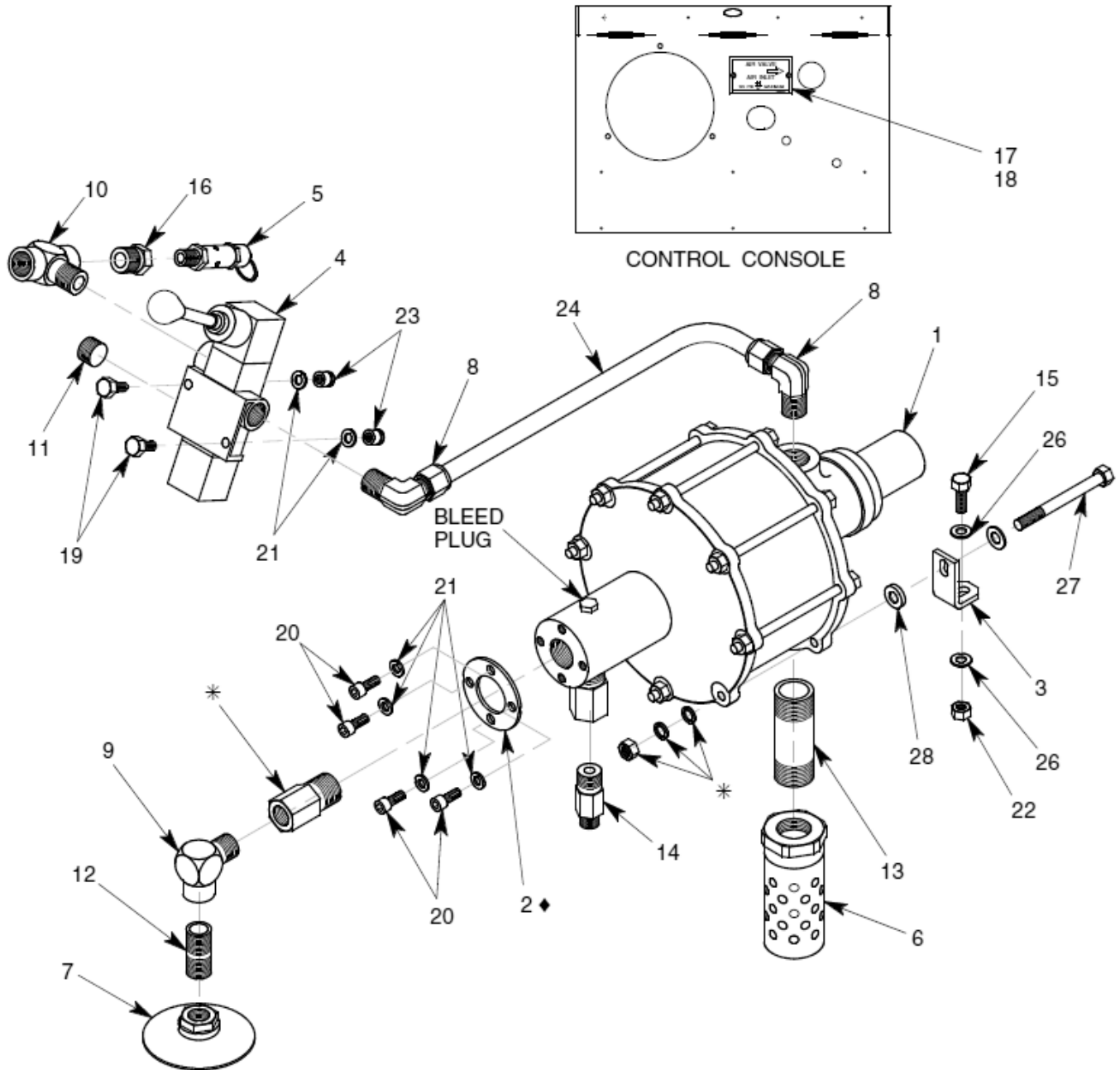
When ordering replacement parts/kits, please specify model, serial number and color of your unit.

Item	Part Number	Description	Qty
	880460	Low Flow Air Pump Kit; consists of:	
1	86387	AIR PUMP	1
2	86369	PUMP GASKET	1
3	880444	PUMP BRACKET	1
4	421-005	AIR VALVE, 3/8 NPT	1
5	425-001	AIR RELIEF VALVE, 1/4 NPT	1
6	472-001	MUFFLER, 1/2 NPT	1
7	481-002	OIL SCREEN, 1/2 NPT	1
8	722-013	ELBOW, 1/2 TUBE x 1/2 NPT	1
9	712-003	ELBOW, STREET, 1/2 NPT	1
10	713-005	TEE, BRANCH, 3/8 NPT	1
11	717-007	PLUG, HEX SOC, 3/8 NPT	1
12	711-013	NIPPLE, CLOSE, 1/2 NPT	1
13	711-099	NIPPLE, HEX LONG, 1/2 NPT	1
14	880467	NIPPLE, 1/2 MPT x 3/8 MPT	1
15	321-083	HHCS, 5/16-18 x 1" LG	1
16	714-009	REDUCER, 3/8 MPT x 1/4 FPT	1
17	86397	PLACARD, AIR	1
18	397-005	SELF TAP SCREW, #4 x 3/16	2
19	321-029	HHCS, 5/16-18 x 3/4 LG	2
20	323-069	SHCS, LOCKING, 5/16-18 x 3/4	4
21	363-002	SPLIT LOCKWASHER, 5/16	2
22	355-004	HEX LOCKNUT, 5/16-18	1
23	359-001	ALLEN NUT, 5/16-18	2
24	732-001	TUBE, 1/2 OD x .049 W x 21"	AR
25	714-006	REDUCER, 3/4 MPT x 1/2 FPT	1
26	722-012	ELBOW, 1/2 TUBE x 3/8 NPT	1
27	362-002	WASHER, FLAT 5/16 SAE	5
28	321-232	HHCS, 5/16-18 x 4 1/2 LG	1

Parts List – Figure 6

When ordering replacement parts/kits, please specify model, serial number and color of your unit.

- ◆ PART OF REPAIR PARTS KIT
- * PART OF ITEM NO. 1 (AIR PUMP)



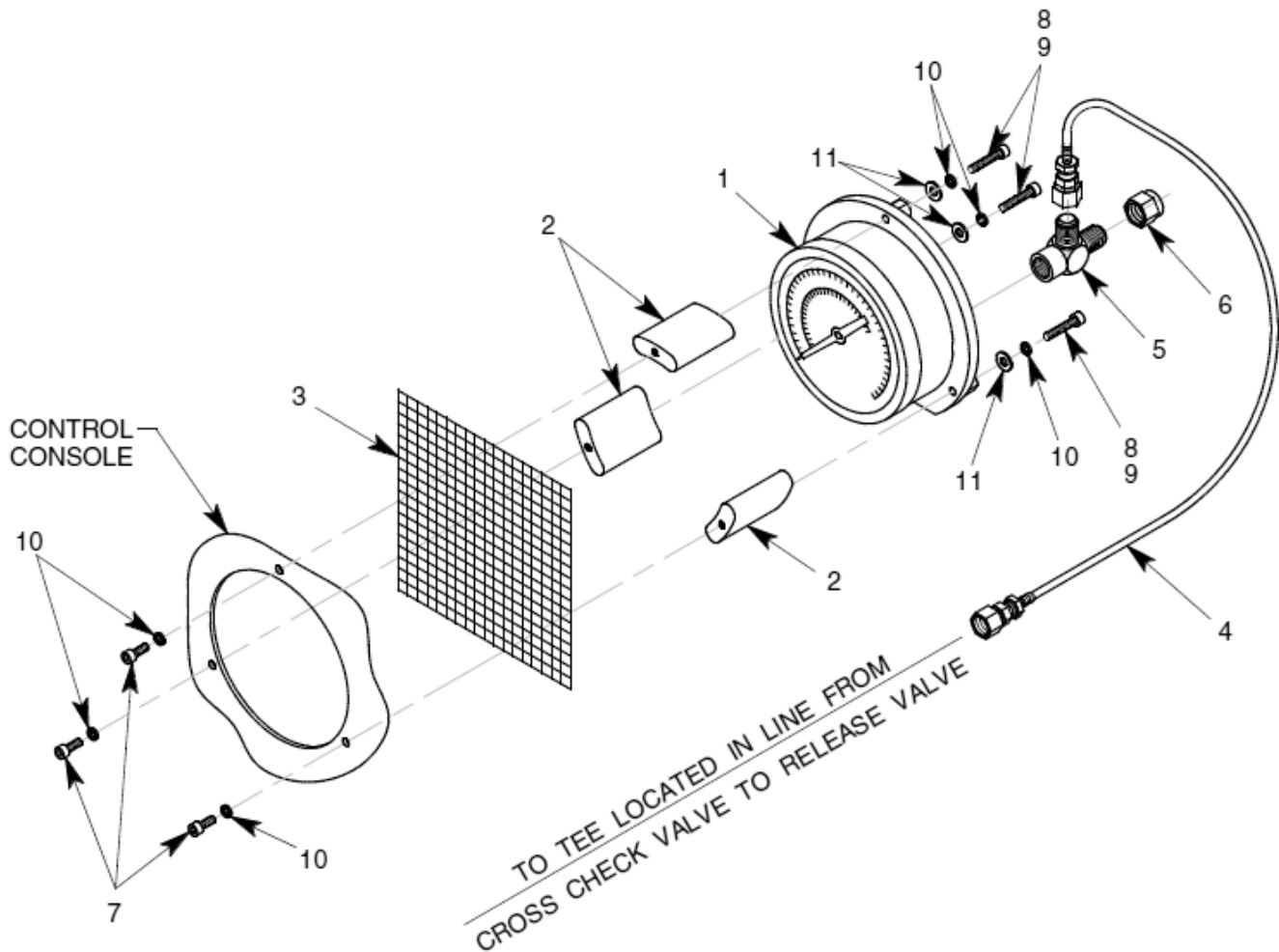
Parts List – Figure 6

When ordering replacement parts/kits, please specify model, serial number and color of your unit.

Item	Part Number	Description	Qty
	880461	High Flow Air Pump Kit; consists of:	
1	880463	AIR PUMP	1
2	86369	PUMP GASKET	1
3	880444	PUMP BRACKET	1
4	421-029	AIR VALVE, 1/2 NPT	1
5	425-001	AIR RELIEF VALVE, 1/4 NPT	1
6	472-002	MUFFLER, 1" NPT	1
7	481-002	OIL SCREEN, 1/2 NPT	1
8	722-013	ELBOW, 1/2 TUBE x 1/2 NPT	2
9	712-003	ELBOW, STREET, 1/2 NPT	1
10	713-021	TEE, BRANCH, 1/2 NPT	1
11	717-008	PLUG, HEX SOC, 1/2 NPT	1
12	711-013	NIPPLE, CLOSE, 1/2 NPT	1
13	711-098	NIPPLE, 1" NPT x 3 1/2 LG	1
14	880467	NIPPLE, 1/2 MPT x 3/8 MPT	1
15	321-083	HHCS, 5/16-18 x 1" LG	1
16	714-003	REDUCER, 1/2 MPT x 1/4 FPT	1
17	86397	PLACARD, AIR	1
18	397-005	SELF TAP SCREW, #4 x 3/16	2
19	321-029	HHCS, 5/16-18 x 3/4 LG	2
20	323-069	SHCS, LOCKING, 5/16-18 x 3/4	4
21	363-002	SPLIT LOCKWASHER, 5/16	6
22	355-004	HEX LOCKNUT, 5/16-18	1
23	359-001	ALLEN NUT, 5/16-18	2
24	732-001	TUBE, 1/2 OD x .049 W x 21"	AR
25	362-003	FLAT WASHER, 3/8 SAE	1
26	362-002	FLAT WASHER, 5/16 SAE	2
27	321-099	HHCS, 3/8-16 x 5 1/2 LG	1
28	369-005	SPACER	1

Parts List – Figure 7

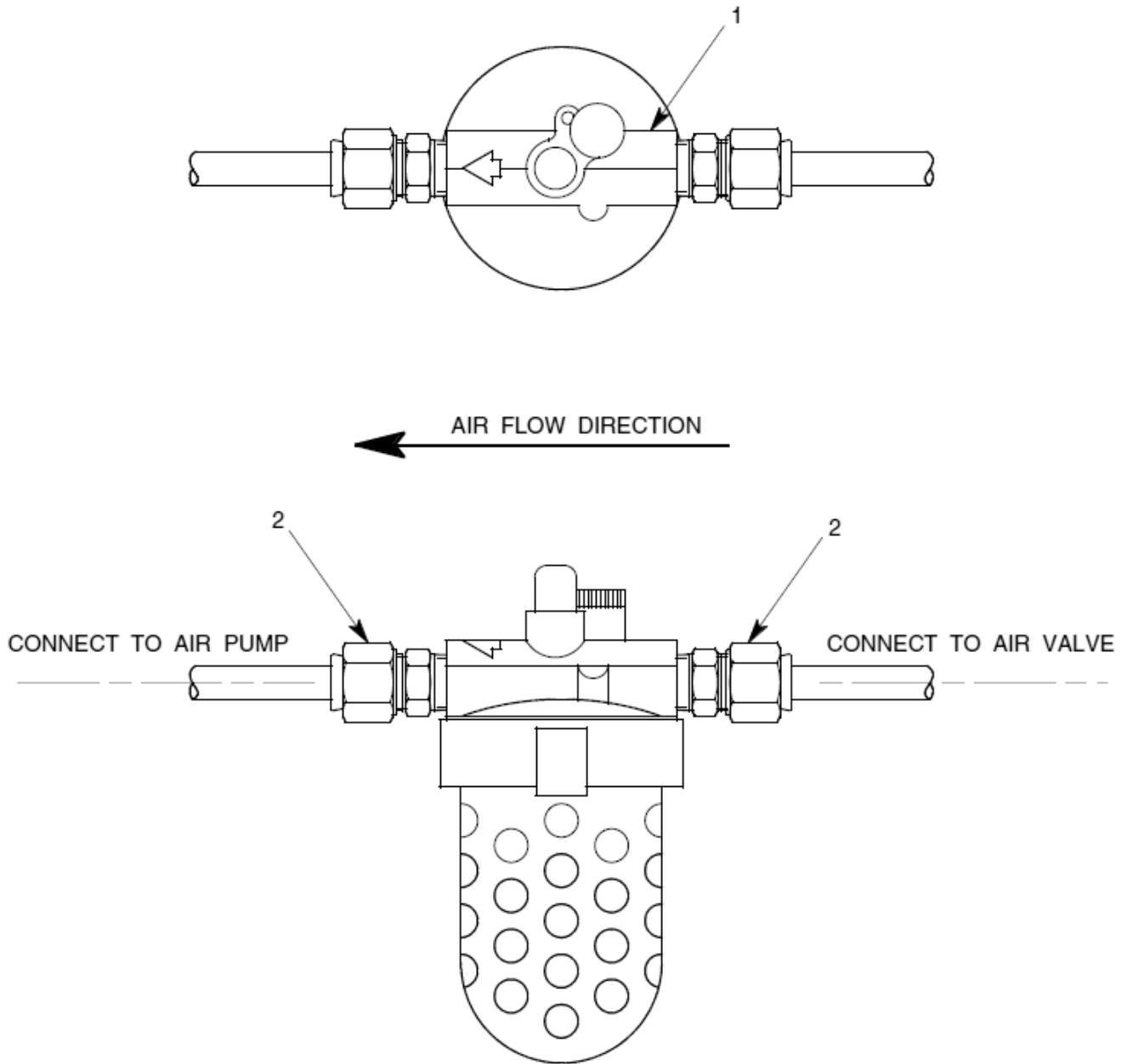
When ordering replacement parts/kits, please specify model, serial number and color of your unit.



Item	Part Number	Description	Qty
	885551	Load Gauge Kit; consists of:	
1	885550	LOAD GAUGE	1
2	880435	ISOLATION BUSHING	3
3	86374	GAUGE SCREEN	1
4	880437	HYDRAULIC PRESSURE HOSE	1
5	723-046	TEE, RUN, 1/4 FPT X 38 37°	1
6	717-032	HEX CAP, 3/8 37°	1
7	323-016	SHCS, 10-32 x 1/2 LG	3
8	323-075	SHCS (ASHCROFT GAUGE)	3
9	323-073	SHCS (MARSH GAUGE)	3
10	363-009	SPLIT LOCKWASHER, #10	6
11	362-031	FLAT WASHER, #10 SAE	3

Parts List – Figure 8

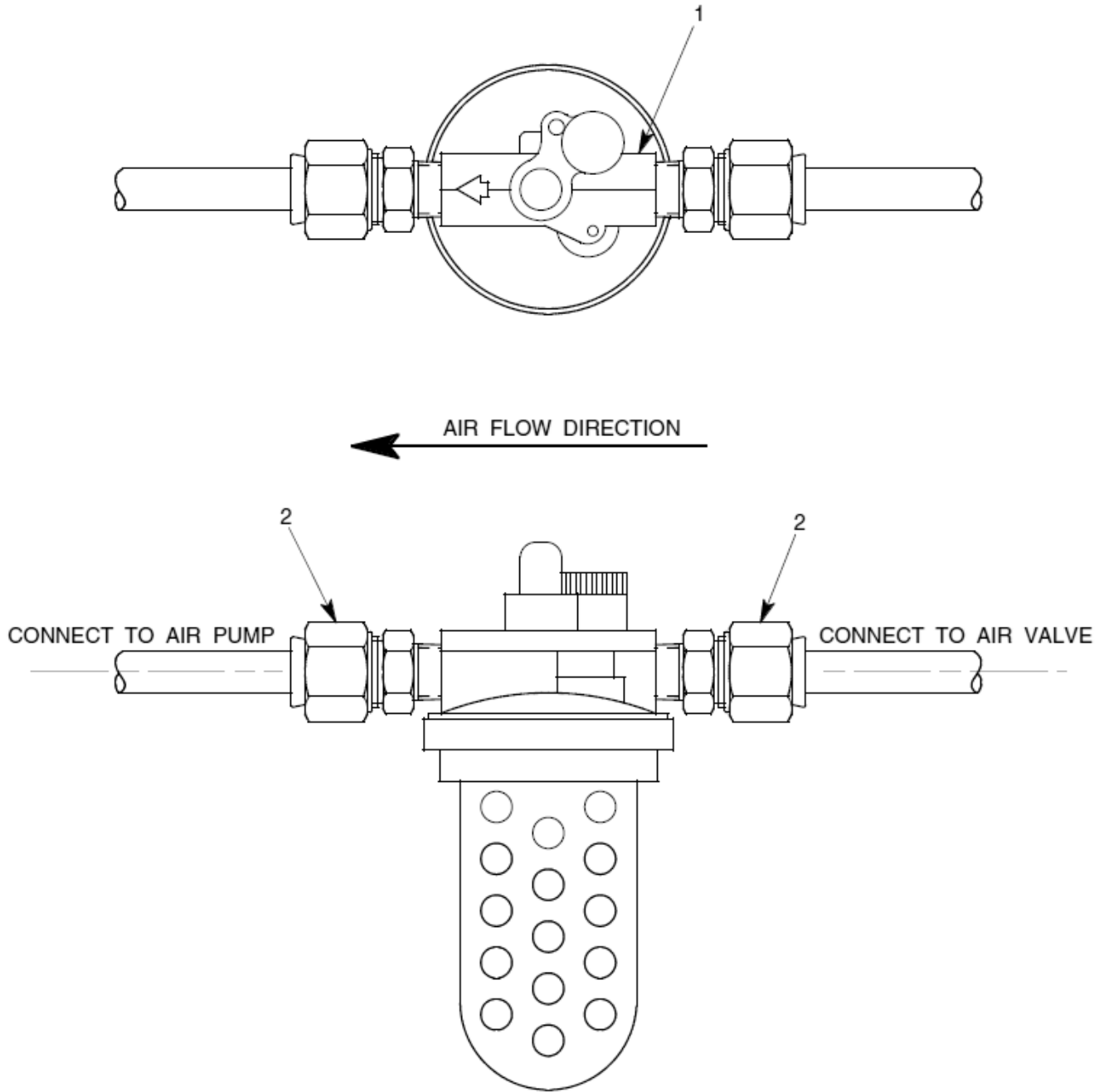
When ordering replacement parts/kits, please specify model, serial number and color of your unit.



Item	Part Number	Description	Qty
	880443	High Flow Lubricator Kit; consists of:	
1	471-001	LUBRICATOR	1
2	721-013	CONN, MALE, 1/2 T X 1/2 NPT	2

Parts List – Figure 9

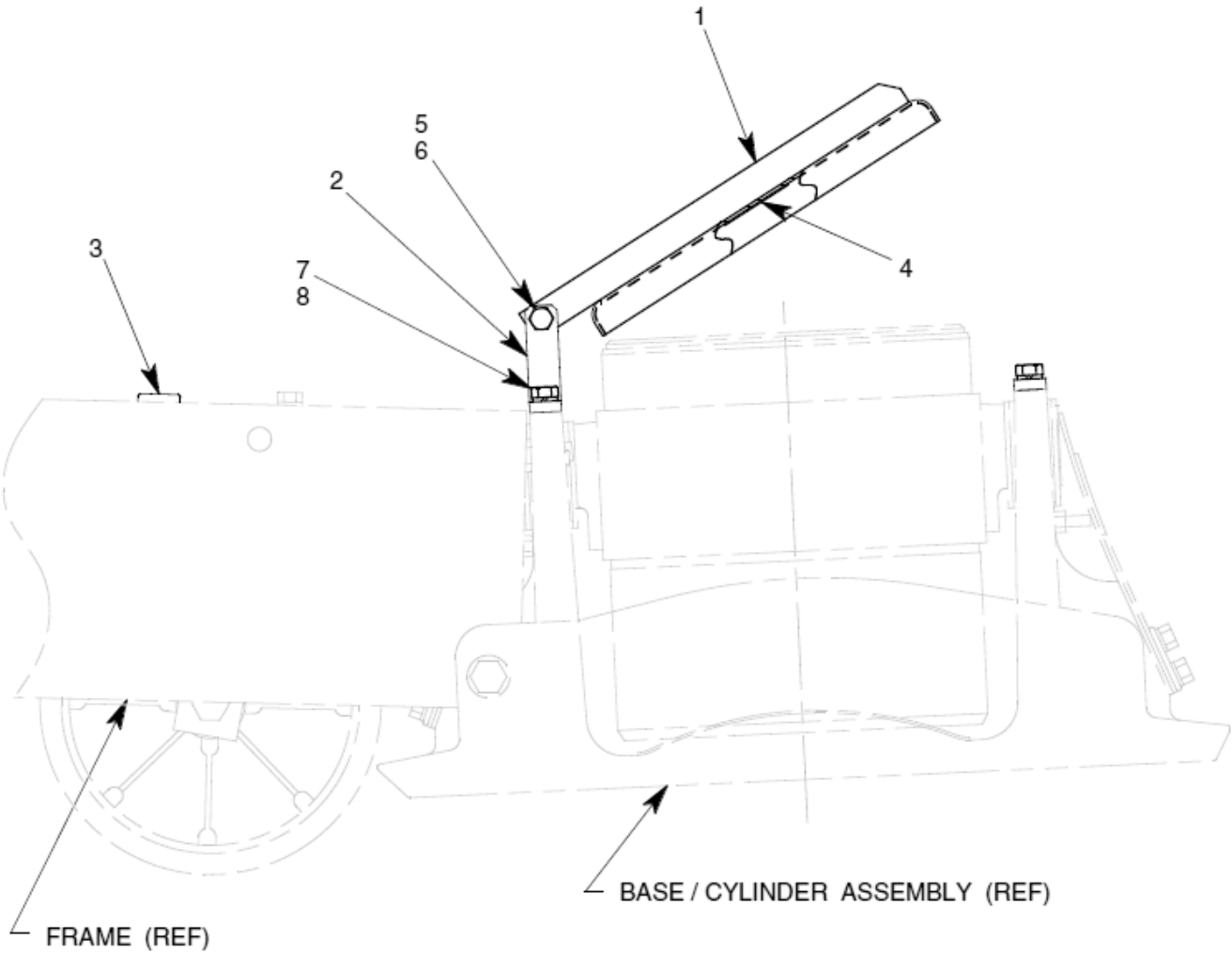
When ordering replacement parts/kits, please specify model, serial number and color of your unit.



Item	Part Number	Description	Qty
	872843	Low Flow Lubricator Kit; consists of:	
1	471-002	LUBRICATOR	1
2	721-025	CONN, MALE, 1/2 T X 3/8 NPT	2

Parts List – Figure 10

When ordering replacement parts/kits, please specify model, serial number and color of your unit.

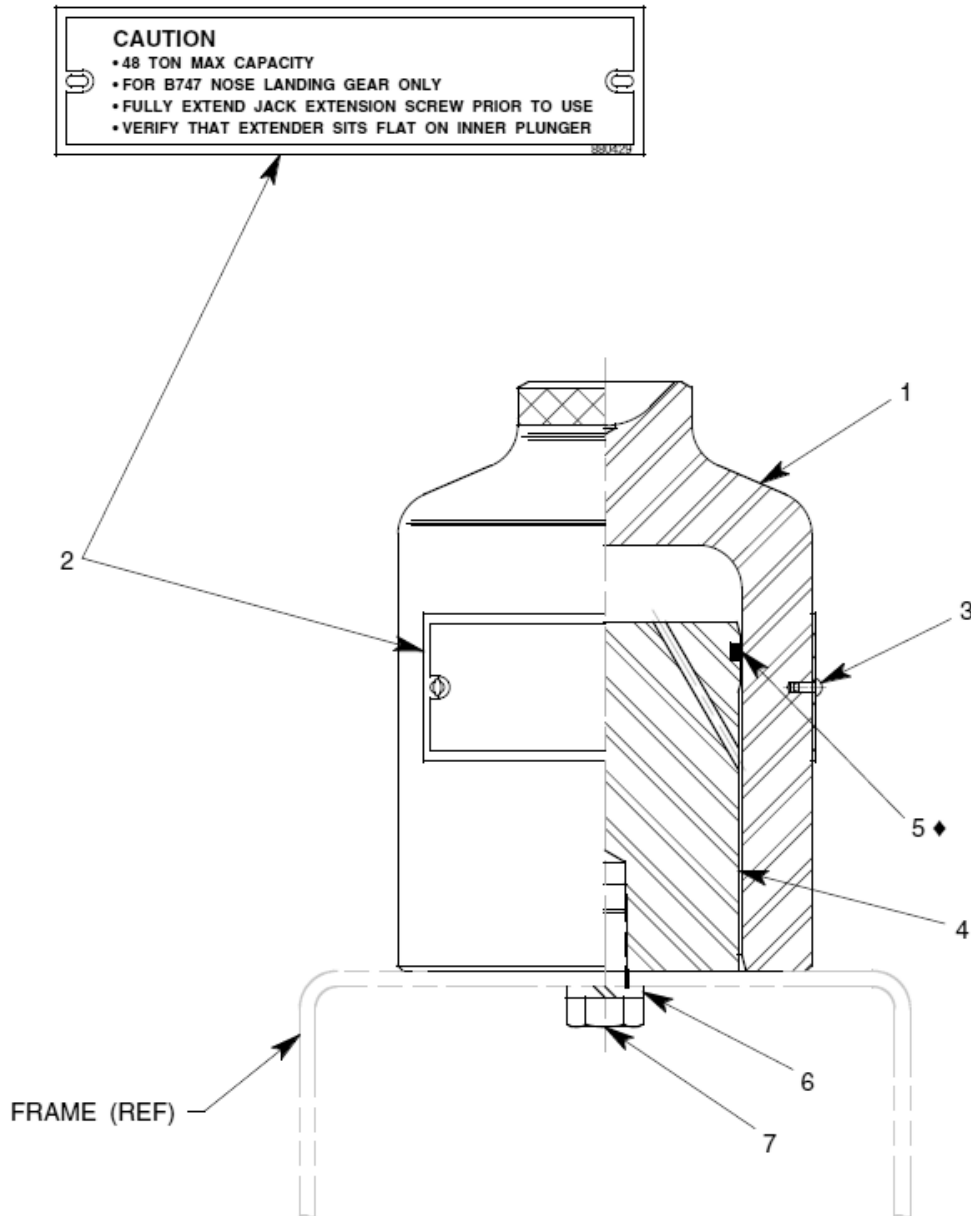


Item	Part Number	Description	Qty
	880488	Rain Hat Kit; consists of:	
1	880472	RAIN HAT	1
2	874609	BAR	1
3	86392	BUMPER	1
4	75943	STICKER, CLOSE COVER	1
5	321-058	HHCS, 5/16-18 x 1 1/2 LG	1
6	355-004	LOCKNUT, 5/16-18	1
7	321-011	HHCS, 3/8-16 x 1" LG	2
8	363-003	SPLIT LOCKWASHER, 3/8	2

Parts List – Figure 11

When ordering replacement parts/kits, please specify model, serial number and color of your unit.

◆ PART OF REPAIR PARTS KIT



CAUTION

- 48 TON MAX CAPACITY
- FOR B747 NOSE LANDING GEAR ONLY
- FULLY EXTEND JACK EXTENSION SCREW PRIOR TO USE
- VERIFY THAT EXTENDER SITS FLAT ON INNER PLUNGER

Item	Part Number	Description	Qty
	880428	2 Inch ExtenderKit; consists of:	
1	880426	2 INCH EXTENDER	1
2	880429	EXTENDER PLACARD	1
3	MS21318-20	DRIVE SCREW	2
4	880427	MOUNTING STUD	1
5	55915-233	TEFLON O-RING	1
6	363-004	SPLIT LOCKWASHER, 1/2	1
7	321-072	HHCS, 1/2-20 x 1" LG	1



APPENDIX I

Safety Data Sheet MIL-PRF-5606 Hydraulic Fluid

Product Name: MOBIL AERO HFA
Revision Date: 01 Oct 2015
Page 1 of 12

SAFETY DATA SHEET

SECTION 1 PRODUCT AND COMPANY IDENTIFICATION

PRODUCT

Product Name: MOBIL AERO HFA
Product Description: Base Oil and Additives
Product Code: 201550401020, 490110-00, 970584
Intended Use: Aviation hydraulic oil

COMPANY IDENTIFICATION

Supplier: EXXON MOBIL CORPORATION
22777 Springwoods Village Parkway
Spring, TX. 77253 USA

24 Hour Health Emergency 609-737-4411
Transportation Emergency Phone 800-424-9300 or 703-527-3887 CHEMTREC
Product Technical Information 800-662-4525
MSDS Internet Address <http://www.exxon.com>, <http://www.mobil.com>

SECTION 2 HAZARDS IDENTIFICATION

This material is hazardous according to regulatory guidelines (see (M)SDS Section 15).

CLASSIFICATION:

Flammable liquid: Category 4.
Aspiration toxicant: Category 1.

LABEL:

Pictogram:



Signal Word: Danger

Hazard Statements:

H227: Combustible liquid. H304: May be fatal if swallowed and enters airways.

Precautionary Statements:

P210: Keep away from flames and hot surfaces. -- No smoking. P273: Avoid release to the environment. P280: Wear protective gloves and eye / face protection. P301 + P310: IF SWALLOWED: Immediately call a POISON CENTER or doctor/physician. P331: Do NOT induce vomiting. P370 + P378: In case of fire: Use water fog, foam, dry chemical or carbon dioxide (CO2) to extinguish. P403 + P235: Store in a well-ventilated place. Keep cool. P405: Store locked up. P501: Dispose of contents and container in accordance with local regulations.

Product Name: MOBIL AERO HFA
 Revision Date: 01 Oct 2015
 Page 2 of 12

Other hazard information:

HAZARD NOT OTHERWISE CLASSIFIED (HNOC): None as defined under 29 CFR 1910.1200.

PHYSICAL / CHEMICAL HAZARDS

Material can accumulate static charges which may cause an ignition. Material can release vapors that readily form flammable mixtures. Vapor accumulation could flash and/or explode if ignited. Combustible.

HEALTH HAZARDS

High-pressure injection under skin may cause serious damage. Excessive exposure may result in eye, skin, or respiratory irritation.

ENVIRONMENTAL HAZARDS

No significant hazards.

NFPA Hazard ID:	Health: 1	Flammability: 2	Reactivity: 0
HMIS Hazard ID:	Health: 1*	Flammability: 2	Reactivity: 0

NOTE: This material should not be used for any other purpose than the intended use in Section 1 without expert advice. Health studies have shown that chemical exposure may cause potential human health risks which may vary from person to person.

SECTION 3	COMPOSITION / INFORMATION ON INGREDIENTS
------------------	---

This material is defined as a mixture.

Hazardous Substance(s) or Complex Substance(s) required for disclosure

Name	CAS#	Concentration*	GHS Hazard Codes
2,6-DI-TERT-BUTYL-P-CRESOL	128-37-0	0.1 - < 1%	H400(M factor 1), H410(M factor 1)
DISTILLATES (PETROLEUM), HYDROTREATED LIGHT	64742-47-8	5 - < 10%	H304
HYDROTREATED LIGHT NAPHTHENIC DISTILLATE (PETROLEUM)	64742-53-6	50 - < 70%	H227, H304
HYDROTREATED MIDDLE DISTILLATE (PETROLEUM)	64742-46-7	20 - < 30%	H304
TRIPHENYL PHOSPHATE	115-86-6	0.1 - < 0.25%	H400(M factor 1), H410(M factor 1)

* All concentrations are percent by weight unless material is a gas. Gas concentrations are in percent by volume.

As per paragraph (i) of 29 CFR 1910.1200, formulation is considered a trade secret and specific chemical identity and exact percentage (concentration) of composition may have been withheld. Specific chemical identity and exact percentage composition will be provided to health professionals, employees, or designated representatives in accordance with applicable provisions of paragraph (i).

SECTION 4	FIRST AID MEASURES
------------------	---------------------------

INHALATION

Remove from further exposure. For those providing assistance, avoid exposure to yourself or others. Use adequate respiratory protection. If respiratory irritation, dizziness, nausea, or unconsciousness occurs, seek immediate medical assistance. If breathing has stopped, assist ventilation with a mechanical device or use mouth-to-mouth resuscitation.

SKIN CONTACT

Wash contact areas with soap and water. Remove contaminated clothing. Launder contaminated clothing before reuse. If product is injected into or under the skin, or into any part of the body, regardless of the appearance of the wound or its size, the individual should be evaluated immediately by a physician as a surgical emergency. Even though initial symptoms from high pressure injection may be minimal or absent, early surgical treatment within the first few hours may significantly reduce the ultimate extent of injury.

EYE CONTACT

Flush thoroughly with water. If irritation occurs, get medical assistance.

INGESTION

Seek immediate medical attention. Do not induce vomiting.

NOTE TO PHYSICIAN

If ingested, material may be aspirated into the lungs and cause chemical pneumonitis. Treat appropriately.

SECTION 5 FIRE FIGHTING MEASURES

EXTINGUISHING MEDIA

Appropriate Extinguishing Media: Use water fog, foam, dry chemical or carbon dioxide (CO₂) to extinguish flames.

Inappropriate Extinguishing Media: Straight Streams of Water

FIRE FIGHTING

Fire Fighting Instructions: Evacuate area. Prevent runoff from fire control or dilution from entering streams, sewers, or drinking water supply. Firefighters should use standard protective equipment and in enclosed spaces, self-contained breathing apparatus (SCBA). Use water spray to cool fire exposed surfaces and to protect personnel.

Unusual Fire Hazards: Combustible. Pressurized mists may form a flammable mixture.

Hazardous Combustion Products: Aldehydes, Incomplete combustion products, Oxides of carbon, Phosphorus oxides, Smoke, Fume, Sulfur oxides

FLAMMABILITY PROPERTIES

Flash Point [Method]: >82°C (180°F) [ASTM D-93]

Flammable Limits (Approximate volume % in air): LEL: 0.7 UEL: 7.0 [Estimated]

Autoignition Temperature: >225°C (437°F)

SECTION 6 ACCIDENTAL RELEASE MEASURES

NOTIFICATION PROCEDURES

In the event of a spill or accidental release, notify relevant authorities in accordance with all applicable

regulations. US regulations require reporting releases of this material to the environment which exceed the applicable reportable quantity or oil spills which could reach any waterway including intermittent dry creeks. The National Response Center can be reached at (800)424-8802.

PROTECTIVE MEASURES

Avoid contact with spilled material. Warn or evacuate occupants in surrounding and downwind areas if required due to toxicity or flammability of the material. See Section 5 for fire fighting information. See the Hazard Identification Section for Significant Hazards. See Section 4 for First Aid Advice. See Section 8 for advice on the minimum requirements for personal protective equipment. Additional protective measures may be necessary, depending on the specific circumstances and/or the expert judgment of the emergency responders.

For emergency responders: Respiratory protection: respiratory protection will be necessary only in special cases, e.g., formation of mists. Half-face or full-face respirator with filter(s) for dust/organic vapor or Self Contained Breathing Apparatus (SCBA) can be used depending on the size of spill and potential level of exposure. If the exposure cannot be completely characterized or an oxygen deficient atmosphere is possible or anticipated, SCBA is recommended. Work gloves that are resistant to hydrocarbons are recommended. Gloves made of polyvinyl acetate (PVA) are not water-resistant and are not suitable for emergency use. Chemical goggles are recommended if splashes or contact with eyes is possible. Small spills: normal antistatic work clothes are usually adequate. Large spills: full body suit of chemical resistant, antistatic material is recommended.

SPILL MANAGEMENT

Land Spill: Eliminate all ignition sources (no smoking, flares, sparks or flames in immediate area). Stop leak if you can do it without risk. All equipment used when handling the product must be grounded. Do not touch or walk through spilled material. Prevent entry into waterways, sewer, basements or confined areas. A vapor suppressing foam may be used to reduce vapors. Use clean non-sparking tools to collect absorbed material. Absorb or cover with dry earth, sand or other non-combustible material and transfer to containers. Large Spills: Water spray may reduce vapor; but may not prevent ignition in closed spaces. Recover by pumping or with suitable absorbent.

Water Spill: Stop leak if you can do it without risk. Confine the spill immediately with booms. Warn other shipping. Remove from the surface by skimming or with suitable absorbents. Seek the advice of a specialist before using dispersants.

Water spill and land spill recommendations are based on the most likely spill scenario for this material; however, geographic conditions, wind, temperature, (and in the case of a water spill) wave and current direction and speed may greatly influence the appropriate action to be taken. For this reason, local experts should be consulted. Note: Local regulations may prescribe or limit action to be taken.

ENVIRONMENTAL PRECAUTIONS

Large Spills: Dike far ahead of liquid spill for later recovery and disposal. Prevent entry into waterways, sewers, basements or confined areas.

SECTION 7	HANDLING AND STORAGE
------------------	-----------------------------

HANDLING

Avoid contact with skin. Avoid prolonged breathing of mists and heated vapor. Prevent small spills and leakage to avoid slip hazard. Material can accumulate static charges which may cause an electrical spark (ignition source). When the material is handled in bulk, an electrical spark could ignite any flammable vapors from liquids or residues that may be present (e.g., during switch-loading operations). Use proper bonding and/or ground procedures. However, bonding and grounds may not eliminate the hazard from static

accumulation. Consult local applicable standards for guidance. Additional references include American Petroleum Institute 2003 (Protection Against Ignitions Arising out of Static, Lightning and Stray Currents) or National Fire Protection Agency 77 (Recommended Practice on Static Electricity) or CENELEC CLC/TR 50404 (Electrostatics - Code of practice for the avoidance of hazards due to static electricity).

Static Accumulator: This material is a static accumulator.

STORAGE

The container choice, for example storage vessel, may effect static accumulation and dissipation. Keep container closed. Handle containers with care. Open slowly in order to control possible pressure release. Store in a cool, well-ventilated area. Storage containers should be grounded and bonded. Fixed storage containers, transfer containers and associated equipment should be grounded and bonded to prevent accumulation of static charge.

SECTION 8 EXPOSURE CONTROLS / PERSONAL PROTECTION

EXPOSURE LIMIT VALUES

Exposure limits/standards (Note: Exposure limits are not additive)

Substance Name	Form	Limit / Standard		NOTE	Source
2,6-DI-TERT-BUTYL-P-CRESOL	Inhalable fraction and vapor	TWA	2 mg/m3	N/A	ACGIH
DISTILLATES (PETROLEUM), HYDROTREATED LIGHT [total hydrocarbon vapor]	Non-Aerosol	TWA	200 mg/m3	Skin	ACGIH
HYDROTREATED LIGHT NAPHTHENIC DISTILLATE (PETROLEUM)	Mist.	TWA	5 mg/m3	N/A	OSHA Z1
HYDROTREATED LIGHT NAPHTHENIC DISTILLATE (PETROLEUM)	Inhalable fraction.	TWA	5 mg/m3	N/A	ACGIH
HYDROTREATED LIGHT NAPHTHENIC DISTILLATE (PETROLEUM)	Mist.	TWA	5 mg/m3	N/A	ACGIH
HYDROTREATED MIDDLE DISTILLATE (PETROLEUM)	Mist.	TWA	5 mg/m3	N/A	OSHA Z1
HYDROTREATED MIDDLE DISTILLATE (PETROLEUM)	Inhalable fraction.	TWA	5 mg/m3	N/A	ACGIH
TRIPHENYL PHOSPHATE		TWA	3 mg/m3	N/A	OSHA Z1
TRIPHENYL PHOSPHATE		TWA	3 mg/m3	N/A	ACGIH

Exposure limits/standards for materials that can be formed when handling this product: When mists/aerosols can occur the following are recommended: 5 mg/m³ - ACGIH TLV (inhalable fraction), 5 mg/m³ - OSHA PEL.

NOTE: Limits/standards shown for guidance only. Follow applicable regulations.

No biological limits allocated.

ENGINEERING CONTROLS

The level of protection and types of controls necessary will vary depending upon potential exposure conditions.

Control measures to consider:

Use explosion-proof ventilation equipment to stay below exposure limits.

PERSONAL PROTECTION

Personal protective equipment selections vary based on potential exposure conditions such as applications, handling practices, concentration and ventilation. Information on the selection of protective equipment for use with this material, as provided below, is based upon intended, normal usage.

Respiratory Protection: If engineering controls do not maintain airborne contaminant concentrations at a level which is adequate to protect worker health, an approved respirator may be appropriate. Respirator selection, use, and maintenance must be in accordance with regulatory requirements, if applicable. Types of respirators to be considered for this material include:

No special requirements under ordinary conditions of use and with adequate ventilation.

For high airborne concentrations, use an approved supplied-air respirator, operated in positive pressure mode. Supplied air respirators with an escape bottle may be appropriate when oxygen levels are inadequate, gas/vapor warning properties are poor, or if air purifying filter capacity/rating may be exceeded.

Hand Protection: Any specific glove information provided is based on published literature and glove manufacturer data. Glove suitability and breakthrough time will differ depending on the specific use conditions. Contact the glove manufacturer for specific advice on glove selection and breakthrough times for your use conditions. Inspect and replace worn or damaged gloves. The types of gloves to be considered for this material include:

If prolonged or repeated contact is likely, chemical resistant gloves are recommended. If contact with forearms is likely, wear gauntlet style gloves.

Eye Protection: If contact is likely, safety glasses with side shields are recommended.

Skin and Body Protection: Any specific clothing information provided is based on published literature or manufacturer data. The types of clothing to be considered for this material include:

If prolonged or repeated contact is likely, chemical, and oil resistant clothing is recommended.

Specific Hygiene Measures: Always observe good personal hygiene measures, such as washing after handling the material and before eating, drinking, and/or smoking. Routinely wash work clothing and protective equipment to remove contaminants. Discard contaminated clothing and footwear that cannot be cleaned. Practice good housekeeping.

ENVIRONMENTAL CONTROLS

Comply with applicable environmental regulations limiting discharge to air, water and soil. Protect the environment by applying appropriate control measures to prevent or limit emissions.

SECTION 9

PHYSICAL AND CHEMICAL PROPERTIES

Note: Physical and chemical properties are provided for safety, health and environmental considerations only and may not fully represent product specifications. Contact the Supplier for additional information.

GENERAL INFORMATION

Physical State: Liquid

Color: Red

Product Name: MOBIL AERO HFA
 Revision Date: 01 Oct 2015
 Page 7 of 12

Odor: Characteristic
Odor Threshold: N/D

IMPORTANT HEALTH, SAFETY, AND ENVIRONMENTAL INFORMATION

Relative Density (at 15 °C): 0.88
Flammability (Solid, Gas): N/A
Flash Point [Method]: >82°C (180°F) [ASTM D-93]
Flammable Limits (Approximate volume % in air): LEL: 0.7 UEL: 7.0 [Estimated]
Autoignition Temperature: >225°C (437°F)
Boiling Point / Range: N/D
Decomposition Temperature: N/D
Vapor Density (Air = 1): N/D
Vapor Pressure: [N/D at 20 °C]
Evaporation Rate (n-butyl acetate = 1): N/D
pH: N/A
Log Pow (n-Octanol/Water Partition Coefficient): N/D
Solubility in Water: Negligible
Viscosity: 13.8 cSt (13.8 mm2/sec) at 40 °C | 5.1 cSt (5.1 mm2/sec) at 100°C [ASTM D 445]
Oxidizing Properties: See Hazards Identification Section.

OTHER INFORMATION

Freezing Point: N/D
Melting Point: N/A
Pour Point: -60°C (-76°F) [ASTM D97]
DMSO Extract (mineral oil only), IP-346: < 3 %wt

SECTION 10 STABILITY AND REACTIVITY

REACTIVITY: See sub-sections below.

STABILITY: Material is stable under normal conditions.

CONDITIONS TO AVOID: Open flames and high energy ignition sources.

MATERIALS TO AVOID: Strong oxidizers

HAZARDOUS DECOMPOSITION PRODUCTS: Material does not decompose at ambient temperatures.

POSSIBILITY OF HAZARDOUS REACTIONS: Hazardous polymerization will not occur.

SECTION 11 TOXICOLOGICAL INFORMATION

INFORMATION ON TOXICOLOGICAL EFFECTS

Hazard Class	Conclusion / Remarks
Inhalation	
Acute Toxicity: No end point data for material.	Minimally Toxic. Based on assessment of the components.
Irritation: No end point data for material.	Elevated temperatures or mechanical action may form vapors, mist, or fumes which may be irritating to the eyes, nose, throat, or lungs.

Product Name: MOBIL AERO HFA
 Revision Date: 01 Oct 2015
 Page 8 of 12

Ingestion	
Acute Toxicity: No end point data for material.	Minimally Toxic. Based on assessment of the components.
Skin	
Acute Toxicity: No end point data for material.	Minimally Toxic. Based on assessment of the components.
Skin Corrosion/Irritation: No end point data for material.	May dry the skin leading to discomfort and dermatitis. Based on assessment of the components.
Eye	
Serious Eye Damage/Irritation: No end point data for material.	May cause mild, short-lasting discomfort to eyes. Based on assessment of the components.
Sensitization	
Respiratory Sensitization: No end point data for material.	Not expected to be a respiratory sensitizer.
Skin Sensitization: No end point data for material.	Not expected to be a skin sensitizer. Based on assessment of the components.
Aspiration: Data available.	May be fatal if swallowed and enters airways. Based on physico-chemical properties of the material.
Germ Cell Mutagenicity: No end point data for material.	Not expected to be a germ cell mutagen. Based on assessment of the components.
Carcinogenicity: No end point data for material.	Not expected to cause cancer. Based on assessment of the components.
Reproductive Toxicity: No end point data for material.	Not expected to be a reproductive toxicant. Based on assessment of the components.
Lactation: No end point data for material.	Not expected to cause harm to breast-fed children.
Specific Target Organ Toxicity (STOT)	
Single Exposure: No end point data for material.	Not expected to cause organ damage from a single exposure.
Repeated Exposure: No end point data for material.	Not expected to cause organ damage from prolonged or repeated exposure. Based on assessment of the components.

TOXICITY FOR SUBSTANCES

NAME	ACUTE TOXICITY
2,6-DI-TERT-BUTYL-P-CRESOL	Oral Lethality: LD50 0.89 g/kg (Rat)

OTHER INFORMATION

For the product itself:

Repeated and/or prolonged exposure may cause irritation to the skin, eyes, or respiratory tract. Small amounts of liquid aspirated into the lungs during ingestion or from vomiting may cause chemical pneumonitis or pulmonary edema.

Contains:

Base oil severely refined: Not carcinogenic in animal studies. Representative material passes IP-346, Modified Ames test, and/or other screening tests. Dermal and inhalation studies showed minimal effects; lung non-specific infiltration of immune cells, oil deposition and minimal granuloma formation. Not sensitizing in test animals.

The following ingredients are cited on the lists below: None.

--REGULATORY LISTS SEARCHED--

Product Name: MOBIL AERO HFA
Revision Date: 01 Oct 2015
Page 9 of 12

1 = NTP CARC
2 = NTP SUS

3 = IARC 1
4 = IARC 2A

5 = IARC 2B
6 = OSHA CARC

SECTION 12 ECOLOGICAL INFORMATION

The information given is based on data available for the material, the components of the material, and similar materials.

ECOTOXICITY

Material -- Not expected to be harmful to aquatic organisms.

MOBILITY

More volatile component -- Highly volatile, will partition rapidly to air. Not expected to partition to sediment and wastewater solids.

Less volatile component -- Low solubility and floats and is expected to migrate from water to the land. Expected to partition to sediment and wastewater solids.

PERSISTENCE AND DEGRADABILITY

Biodegradation:

Components -- Expected to be inherently biodegradable

BIOACCUMULATION POTENTIAL

Majority of components -- Has the potential to bioaccumulate, however metabolism or physical properties may reduce the bioconcentration or limit bioavailability.

SECTION 13 DISPOSAL CONSIDERATIONS

Disposal recommendations based on material as supplied. Disposal must be in accordance with current applicable laws and regulations, and material characteristics at time of disposal.

DISPOSAL RECOMMENDATIONS

Product is suitable for burning in an enclosed controlled burner for fuel value or disposal by supervised incineration at very high temperatures to prevent formation of undesirable combustion products. Protect the environment. Dispose of used oil at designated sites. Minimize skin contact. Do not mix used oils with solvents, brake fluids or coolants.

REGULATORY DISPOSAL INFORMATION

RCRA Information: The unused product, in our opinion, is not specifically listed by the EPA as a hazardous waste (40 CFR, Part 261D), nor is it formulated to contain materials which are listed as hazardous wastes. It does not exhibit the hazardous characteristics of ignitability, corrosivity or reactivity and is not formulated with contaminants as determined by the Toxicity Characteristic Leaching Procedure (TCLP). However, used product may be regulated.

Empty Container Warning Empty Container Warning (where applicable): Empty containers may contain residue and can be dangerous. Do not attempt to refill or clean containers without proper instructions. Empty drums should be

Product Name: MOBIL AERO HFA
Revision Date: 01 Oct 2015
Page 10 of 12

completely drained and safely stored until appropriately reconditioned or disposed. Empty containers should be taken for recycling, recovery, or disposal through suitably qualified or licensed contractor and in accordance with governmental regulations. DO NOT PRESSURISE, CUT, WELD, BRAZE, SOLDER, DRILL, GRIND, OR EXPOSE SUCH CONTAINERS TO HEAT, FLAME, SPARKS, STATIC ELECTRICITY, OR OTHER SOURCES OF IGNITION. THEY MAY EXPLODE AND CAUSE INJURY OR DEATH.

SECTION 14 TRANSPORT INFORMATION

LAND (DOT)

Proper Shipping Name: COMBUSTIBLE LIQUID, N.O.S. (Distillates (Petroleum), Hydrotreated Light)
Hazard Class & Division: COMBUSTIBLE LIQUID
ID Number: NA1993
Packing Group: III
ERG Number: 128
Label(s): NONE
Transport Document Name: NA1993, COMBUSTIBLE LIQUID, N.O.S. (Distillates (Petroleum), Hydrotreated Light), COMBUSTIBLE LIQUID, PG III

Footnote: This material is not regulated under 49 CFR in a container of 119 gallon capacity or less when transported solely by land, as long as the material is not a hazardous waste, a marine pollutant, or specifically listed as a hazardous substance.

LAND (TDG): Not Regulated for Land Transport

SEA (IMDG): Not Regulated for Sea Transport according to IMDG-Code

Marine Pollutant: No

AIR (IATA): Not Regulated for Air Transport

SECTION 15 REGULATORY INFORMATION

OSHA HAZARD COMMUNICATION STANDARD: This material is considered hazardous in accordance with OSHA HazCom 2012, 29 CFR 1910.1200.

Listed or exempt from listing/notification on the following chemical inventories: AICS, DSL, ENCS, IECSC, KECI, PICCS, TCSI, TSCA

EPCRA SECTION 302: This material contains no extremely hazardous substances.

SARA (311/312) REPORTABLE HAZARD CATEGORIES: Fire. Immediate Health. Delayed Health.

SARA (313) TOXIC RELEASE INVENTORY: This material contains no chemicals subject to the supplier notification requirements of the SARA 313 Toxic Release Program.

Product Name: MOBIL AERO HFA
 Revision Date: 01 Oct 2015
 Page 11 of 12

The following ingredients are cited on the lists below:

Chemical Name	CAS Number	List Citations
DISTILLATES (PETROLEUM), HYDROTREATED LIGHT	64742-47-8	1, 17, 18
HYDROTREATED LIGHT NAPHTHENIC DISTILLATE (PETROLEUM)	64742-53-6	1, 4, 13, 17, 18
HYDROTREATED MIDDLE DISTILLATE (PETROLEUM)	64742-46-7	1, 4, 17, 18

--REGULATORY LISTS SEARCHED--

1 = ACGIH ALL	6 = TSCA 5a2	11 = CA P65 REPRO	16 = MN RTK
2 = ACGIH A1	7 = TSCA 5e	12 = CA RTK	17 = NJ RTK
3 = ACGIH A2	8 = TSCA 6	13 = IL RTK	18 = PA RTK
4 = OSHA Z	9 = TSCA 12b	14 = LA RTK	19 = RI RTK
5 = TSCA 4	10 = CA P65 CARC	15 = MI 293	

Code key: CARC=Carcinogen; REPRO=Reproductive

SECTION 16	OTHER INFORMATION
-------------------	--------------------------

N/D = Not determined, N/A = Not applicable

KEY TO THE H-CODES CONTAINED IN SECTION 3 OF THIS DOCUMENT (for information only):

- H227: Combustible liquid; Flammable Liquid, Cat 4
- H304: May be fatal if swallowed and enters airways; Aspiration, Cat 1
- H400: Very toxic to aquatic life; Acute Env Tox, Cat 1
- H410: Very toxic to aquatic life with long lasting effects; Chronic Env Tox, Cat 1

THIS SAFETY DATA SHEET CONTAINS THE FOLLOWING REVISIONS:

Revision Changes:

- Section 01: Company Mailing Address information was modified.
- Section 05: Hazardous Combustion Products information was modified.
- Section 15: List Citations Table information was modified.
- Section 15: National Chemical Inventory Listing information was modified.
- Section 14: Marine Pollutant information was modified.
- Composition: Component Table information was modified.
- Section 08: Exposure Limits Table information was modified.
- Section 16: Revision Information - Implementation of GHS requirements phrase. information was deleted.

The information and recommendations contained herein are, to the best of ExxonMobil's knowledge and belief, accurate and reliable as of the date issued. You can contact ExxonMobil to insure that this document is the most current available from ExxonMobil. The information and recommendations are offered for the user's consideration and examination. It is the user's responsibility to satisfy itself that the product is suitable for the intended use. If buyer repackages this product, it is the user's responsibility to insure proper health, safety and other necessary information is included with and/or on the container. Appropriate warnings and safe-handling procedures should be provided to handlers and users. Alteration of this document is strictly prohibited. Except to the extent required by law,



Product Name: MOBIL AERO HFA
Revision Date: 01 Oct 2015
Page 12 of 12

re-publication or retransmission of this document, in whole or in part, is not permitted. The term, "ExxonMobil" is used for convenience, and may include any one or more of ExxonMobil Chemical Company, Exxon Mobil Corporation, or any affiliates in which they directly or indirectly hold any interest.

Internal Use Only

MHC: 2A, 0, 0, 0, 1, 1

PPEC: C

DGN: 2005454XUS (552975)

Copyright 2002 Exxon Mobil Corporation, All rights reserved