



Model: 50J25178
10 Ton (9 Metric Ton)
Tripod Jack

03/2018 – Rev. 01

REVISION
01

DATE
03/2018

TEXT AFFECTED
Original release

TABLE OF CONTENTS

	<u>PAGE</u>
1.0 PRODUCT INFORMATION	1
1.1 DESCRIPTION.....	1
1.2 MODEL & SERIAL NUMBER.....	1
1.3 MANUFACTURER	1
1.4 SPECIFICATIONS	1
2.0 SAFETY INFORMATION	1
2.1 USAGE AND SAFETY INFORMATION	1
2.2 PRODUCT SAFETY	1
3.0 TRAINING	2
3.1 TRAINING REQUIREMENTS	2
3.2 TRAINING PROGRAM	2
3.3 OPERATOR TRAINING	2
4.0 SYSTEM BLEED PROCEDURE.....	2
5.0 PRE-OPERATION PROCEDURE.....	2
6.0 ASSEMBLY AND ERECTION	3
6.1 BASIC TRIPOD JACK.....	3
6.2 ONE-LEG EXTENSION ASSEMBLY	4
6.3 TWO-LEG EXTENSION ASSEMBLY	5
6.4 THREE-LEG EXTENSION ASSEMBLY.....	6
6.5 FOUR-LEG EXTENSION ASSEMBLY.....	7
6.6 PUMP ASSEMBLY INSTALLATION	8
7.0 OPERATION.....	8
7.1 LIFTING PROCEDURE	8
7.2 LOWERING PROCEDURE.....	8
7.3 RELIEF VALVE SETTING	8
8.0 TROUBLE SHOOTING	9
9.0 MAINTENANCE.....	10
9.1 SHOP AIDS AVAILABLE	10
9.2 OVERHAUL KITS AVAILABLE	10
10.0 PROVISION OF SPARES.....	10
10.1 SOURCE OF SPARE PARTS.....	10
10.2 RECOMMENDED SPARE PARTS LISTS	10
11.0 IN SERVICE SUPPORT	10
12.0 GUARANTEES/LIMITATION OF LIABILITY	11
13.0 APPENDICES	11

This product can not be modified without the written approval of Tronair, Inc. Any modifications done without written approval voids all warranties and releases Tronair, Inc., its suppliers, distributors, employees, or financial institutions from any liability from consequences that may occur. Only Tronair OEM replacement parts shall be used.

1.0 PRODUCT INFORMATION

1.1 DESCRIPTION

20 Ton (18 Metric Ton) Tripod Jack

1.2 MODEL & SERIAL NUMBER

Reference nameplate on unit

1.3 MANUFACTURER

ColumbusJack/Regent
1 Air Cargo Pkwy East
Swanton, Ohio 43558 USA

Telephone: 614.443.7492
Fax: 614.444.9337
E-mail: sales@columbusjack.com
Website: www.columbusjack.com

1.4 SPECIFICATIONS

Capacity	10 Ton (9 Metric Ton)	
Hydraulic Lift	26 in (66 cm)	
Screw Extension	18 in (45.72 cm)	
Leg Extensions.....	4 sets	Minimum Height Maximum Height
	Zero	36 in (91.44 cm) 80 in (203.2 cm)
	One	54 in (137.16 cm) 98 in (248.92 cm)
	Two	72 in (182.88 cm) 116 in (294.64 cm)
	Three.....	90 in (228.6 cm) 134 in (340.36 cm)
	Four.....	108 in (274.32 cm) 152 in (386.08 cm)
Extension Increments.....	18 in (45.72 cm)	
Operating Pressure	2080 psi (143.4 bar)	
Relief Valve Pressure.....	2290 psi (157.9 bar)	
Reservoir Capacity	1.1 gal (4.2 l)	
Estimated Weight	371 lbs (168 kg)	

2.0 SAFETY INFORMATION

2.1 USAGE AND SAFETY INFORMATION

To insure safe operations please read the following statements and understand their meaning. Also refer to your equipment manufacturer's manual for other important safety information. This manual contains safety precautions which are explained below. Please read carefully.



WARNING! — Warning is used to indicate the presence of a hazard that **can cause severe personal injury, death, or substantial property damage** if the warning notice is ignored.

CAUTION! — Caution is used to indicate the presence of a hazard that **will or can cause minor personal injury or property damage** if the caution notice is ignored.

2.2 PRODUCT SAFETY

Make sure all personnel involved with this jack read and understand these instructions before using.



WARNING!

Each jack is operated independently and aircraft must be raised evenly to provide stability. Failure to use safe jacking practices may result in equipment damage and injury to personnel. Personnel not involved in jacking the aircraft must remain clear of the immediate area. Other work should not be performed until jacking is completed and aircraft is stabilized. Do not work under suspended loads unless required. Failure to follow strict safety precautions may result in equipment damage and injury or death to personnel. When jacking operations are completed and aircraft is stabilized, necessary personnel may complete required maintenance actions under aircraft.

The jack is designed to lift only vertical loads with a maximum weight of 10 Ton (9 Metric Ton). Do not use jack for lifts exceeding the weight or design limits. Failure to comply can result in injury or death to personnel and/or severe damage to the jack and aircraft.

Casters will carry only the weight of the jack. Ensure casters compress under aircraft load to prevent injury to personnel and equipment damage.

3.0 TRAINING

3.1 TRAINING REQUIREMENTS

The employer of the operator is responsible for providing a training program sufficient for the safe operation of the unit.

3.2 TRAINING PROGRAM

The employer provided operator training program should cover safety procedures concerning use of the unit in and around the intended aircraft at the intended aircraft servicing location.

3.3 OPERATOR TRAINING

The operator training should provide the required training for safe operation of the unit.

NOTE: Maintenance and Trouble Shooting are to be performed by a skilled and trained technician.

4.0 SYSTEM BLEED PROCEDURE

1. Break hydraulic line at base of cylinder.
2. Operate hand pump until oil comes out freely with no air bubbles. Retighten hydraulic line at base of cylinder.
3. Raise ram approximately six (6) inches with hand pump.
4. Open release valve.
5. If ram fails to raise, repeat steps 1 thru 2 until all air is removed and ram is able to raise upon using hand pump.

5.0 PRE-OPERATION PROCEDURE

1. Perform visual inspection, by checking for oil leakage.
2. Check for loose, damaged or missing parts.
3. Check oil level.
4. Ensure Air Vent is open, if applicable.

6.0 ASSEMBLY AND ERECTION

6.1 BASIC TRIPOD JACK

The jack may be assembled in the basic jack configuration or erected to various heights by the addition of leg extensions and supporting braces. Complete assembly can be accomplished without the use of excessive force. If alignment cannot be accomplished, inspect parts for bending or twisting. If bending or twisting is evident, replace part.



CAUTION!

Do not tighten bolts and nuts at basic leg. Over tightening will distort ears and/or cylinder bore. This can result in premature parts failure.

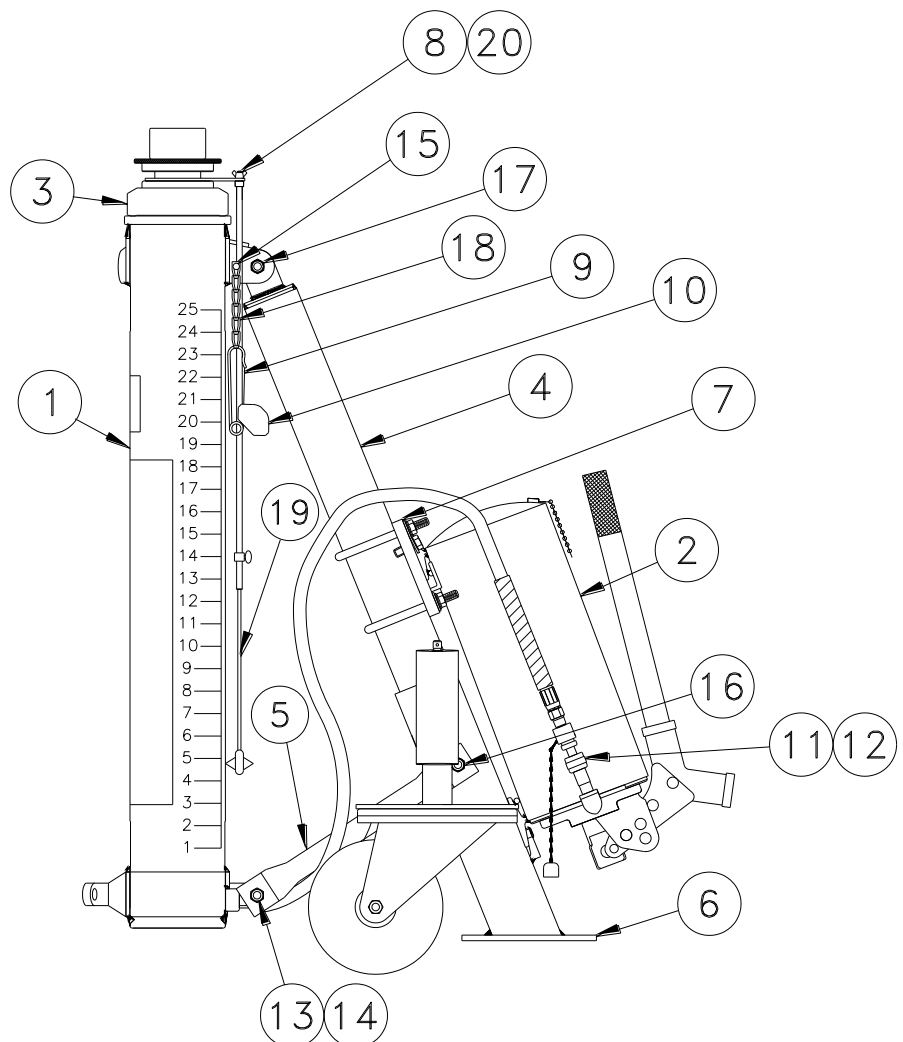
1. Attach the basic legs (4) to the lugs at the top of the cylinder assembly (1) and secure with bolts (17) and nuts (14).
2. Attach braces #1 (5) to each side of the lugs at the bottom of the cylinder assembly (1) and secure with bolts (13) and nuts (14).
3. If a leg extension is not to be added, attach foot assemblies (6) and secure free ends of braces #1 (5) to the foot assemblies (6) with bolts (16) and nuts (14).
4. Attach pump only if you are not adding leg extensions (Section 7.0 Pump Assembly Installation).

NOTE: Do not fully tighten bolts and nuts until final desired height is attained.

NOTE: Do not attach the foot assemblies until all leg extensions have been installed.

LEGEND

1. Cylinder Assembly
2. Pump Assembly
3. Ram Assembly
4. Leg, Upper
5. Brace # 1
6. Foot Assembly
7. Clamp Assembly
8. Tube Assembly
9. Pin
10. Adapter
11. Hose Assembly
12. Connector
13. Hex Head Cap Screw, 1 3/4 Long
14. Hex Nut
15. Pan Head Screw
16. Hex Head Cap Screw, 4 1/2 Long
17. Hex Head Cap Screw, 1 27/32 Long
18. Chain
19. Rod-Pointer
20. Wing Nut



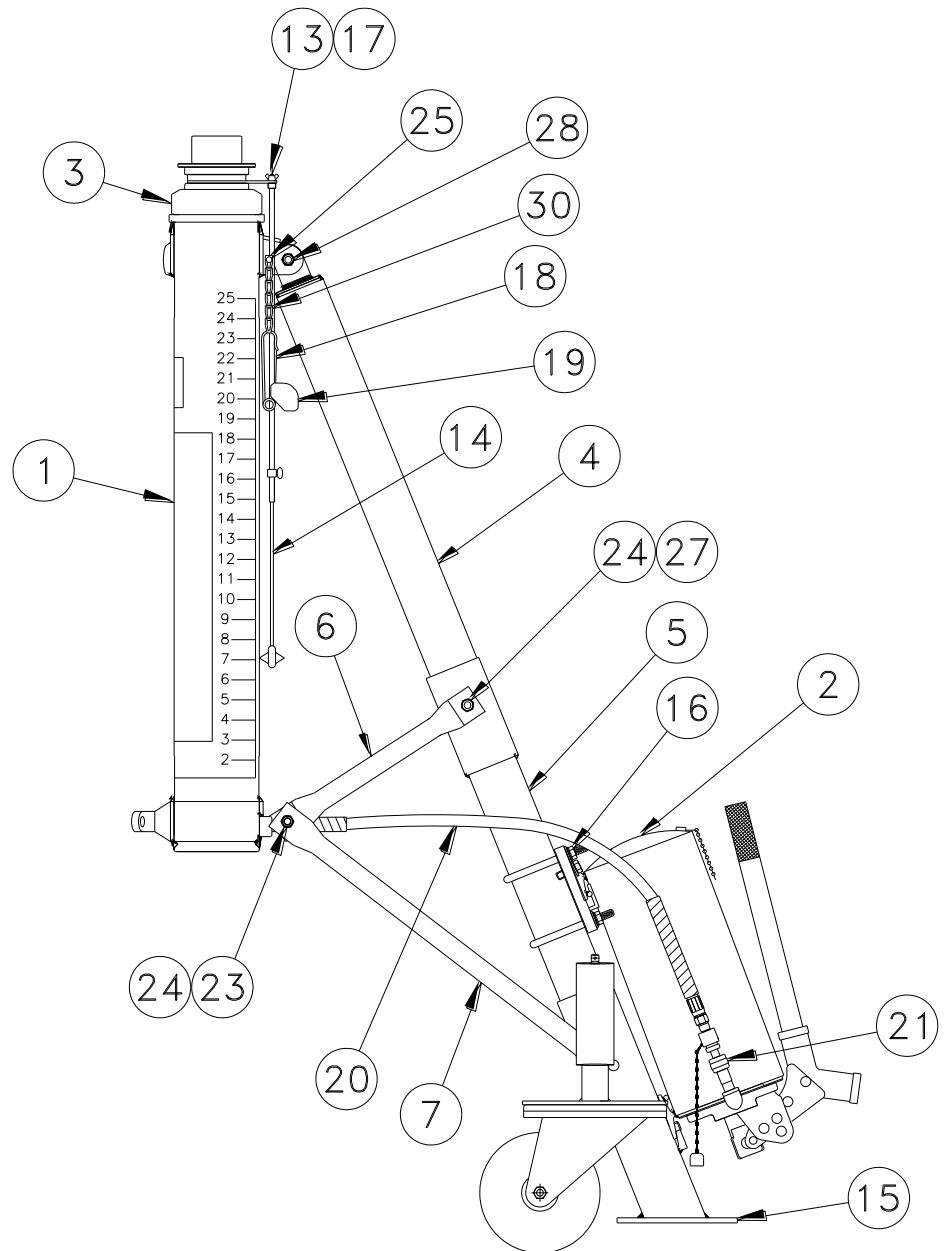
6.0 ASSEMBLY AND ERECTION *(continued)*

6.2 ONE-LEG EXTENSION ASSEMBLY

1. Be sure foot assemblies and pump assembly are not attached to tripod before installing leg extension.
2. Place the flared end of leg extensions (5) over end of basic legs (4) and align holes
3. Place the end of braces #1 (6) over each side of leg extensions (5) and insert bolts (27) through braces #1 (6), leg extensions (5) and basic legs (4). Install nuts (24).
4. Place one end of braces #2 (7) under braces #1 (6) and secure both braces to lugs at bottom of cylinder assembly (1) with bolts (23) and nuts (24).
5. If another leg extension is not to be added, attach foot assemblies (15) and secure free ends of braces # 2 (7) to the foot assemblies (15) with bolts (27) and nuts (24).
6. Install pump only if you are not adding leg extensions (Section 7.0 Pump Assembly Installation).

LEGEND

1. Cylinder Assembly
2. Pump Assembly
3. Ram Assembly
4. Leg, Upper
5. Leg Extension
6. Brace #1
7. Brace #2
15. Foot Assembly
16. Clamp Assembly
17. Tube Assembly
18. Pin
19. Adapter
20. Hose Assembly
21. Connector
23. Hex Head Cap Screw, 1 3/4 Long
24. Hex Nut
25. Pan Head Screw
27. Cap Screw, 4 1/4 Long
28. Cap Screw, 1 27/32 Long
30. Chain



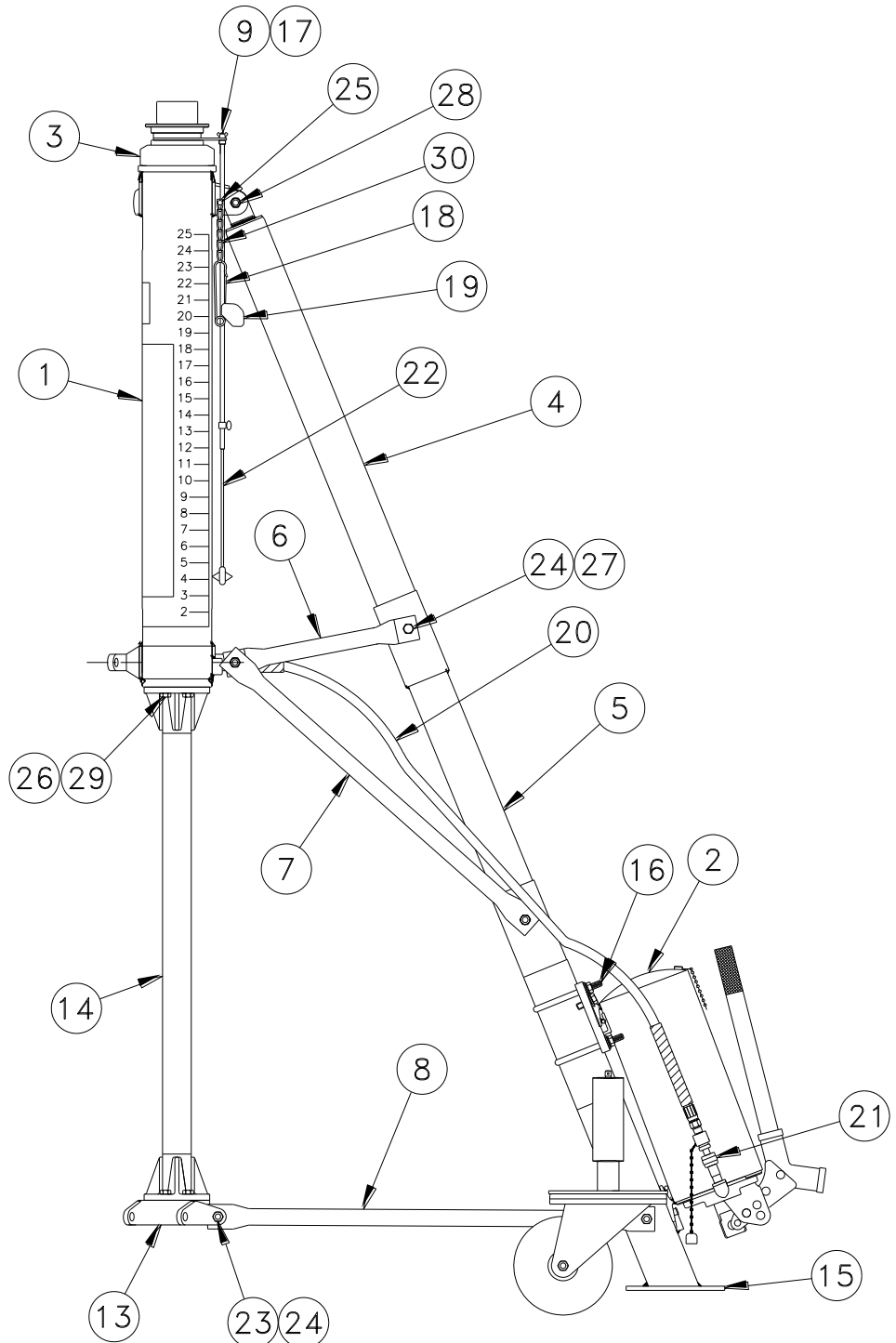
6.0 ASSEMBLY AND ERECTION *(continued)*

6.3 TWO-LEG EXTENSION ASSEMBLY

1. Be sure foot assemblies and pump assembly are not attached to tripod before installing leg extensions.
2. Attach tension bar (14) to the underside of cylinder assembly (1) with lock washers (29) and bolts (26) provided. Attach web (13) to tension bar (14) with bolts provided.
3. Place the flared end of leg extensions (5) over the bottom of leg extensions (5) and align holes.
4. Place the end of braces #2 (7) over each side of leg extensions (5) and insert bolts (27) through braces #2 (7), leg extensions (5). Install nuts (24).
5. Place flat end of braces #3 (8) against lugs on web (13) and secure with bolts (23) and nuts (24).
6. If another leg extension is not to be added, attach foot assemblies (15) and secure free ends of braces #3 (8) to the foot assemblies (15) with bolts (27) and nuts (24).
7. Attach pump assembly only if you are not adding leg extensions (Section 7.0 Pump Assembly Installation).

LEGEND

1. Cylinder Assembly
2. Pump Assembly
3. Ram Assembly
4. Leg, Upper
5. Leg Extension
6. Brace #1
7. Brace#2
8. Brace#3
13. Web
14. Tension Bar
15. Foot Assembly
16. Clamp Assembly
17. Tube Assembly
18. Pin
19. Adapter
20. Hose Assembly
21. Connector
23. Cap Screw, 1 3/4 Long
24. Hex Nut
25. Pan Head Screw
26. Cap Screw, 27/32 Long Bolt
27. Cap Screw, 4 1/4 Long
28. Cap Screw, 1 27/32 Long Bolt
29. Lock Washer
30. Chain



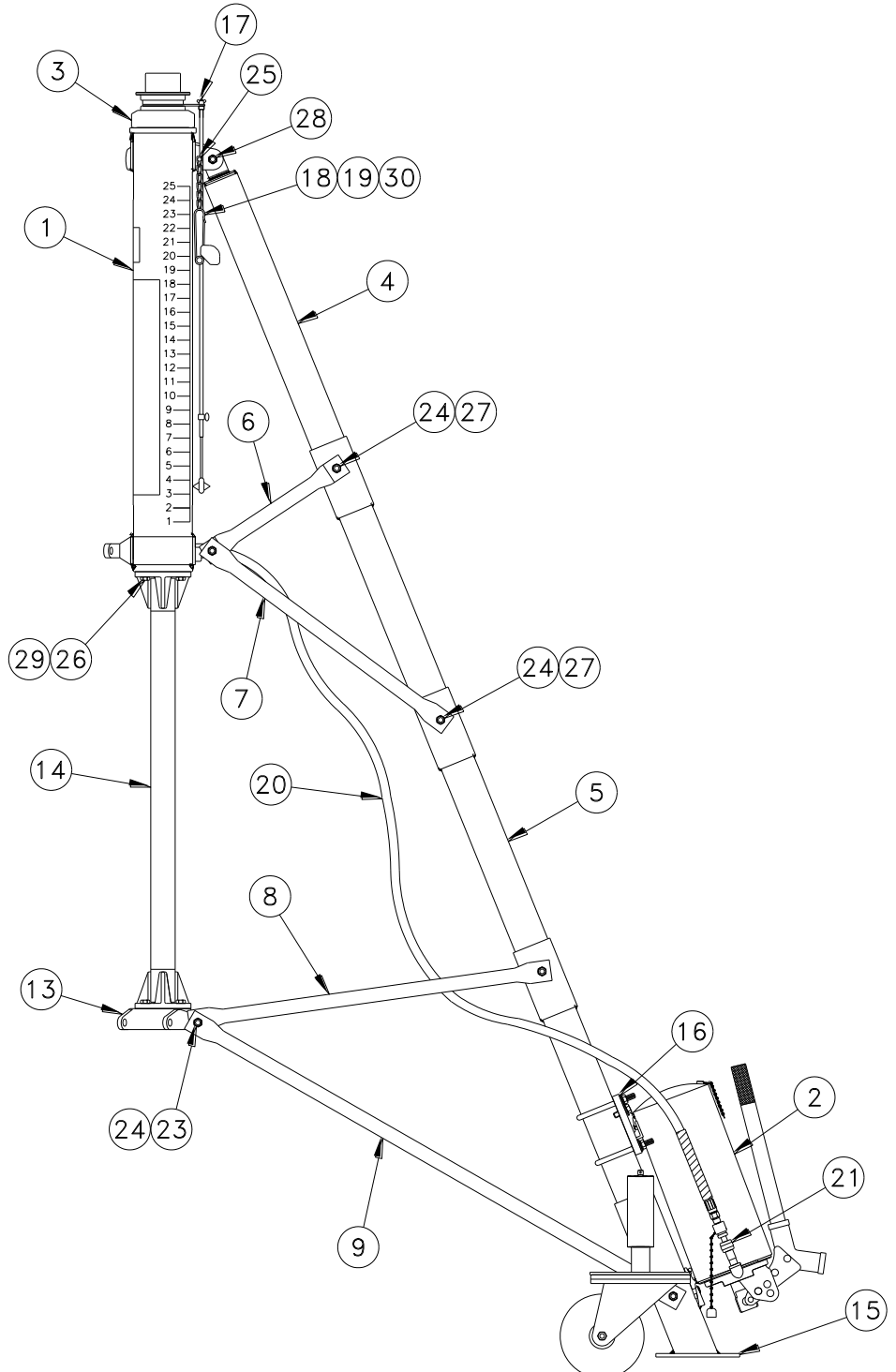
6.0 ASSEMBLY AND ERECTION *(continued)*

6.4 THREE-LEG EXTENSION ASSEMBLY

1. Be sure foot assemblies and pump assembly are not attached to tripod before installing leg extensions.
2. With the basic jack and one-leg and two-leg extensions erected place the flared end of leg extensions (5) over the bottom of leg extensions (5) and align holes.
3. Place the ends of braces #3 (8) over each side of leg extensions (5). Install bolts (27) and nuts (24).
4. Place one end of braces #4 (9) against lugs on web (13) and insert bolts (23) through braces #3 (8), lugs on web (13) and braces #4 (9). Install nuts (24).
5. If another leg extension is not to be added, attach foot assemblies (15) and secure free ends of braces #4 (9) with bolts (27) and nuts (24).
6. Attach pump assembly only if you are not adding leg extensions (Section 7.0 Pump Assembly Installation).

LEGEND

1. Cylinder Assembly
2. Pump Assembly
3. Ram Assembly
4. Leg, Upper
5. Leg Extension
6. Brace #1
7. Brace #2
8. Brace #3
9. Brace #4
13. Web
14. Tension Bar
15. Foot Assembly
16. Clamp Assembly
17. Tube Assembly
18. Pin
19. Adapter
20. Hose Assembly
21. Connector
23. Cap Screw 1 3/4 Long
24. Hex Nut
25. Pan Head Screw
26. Cap Screw 27/32 Long
27. Cap Screw 4 1/4 Long
28. Cap Screw 1-27/32 Long
29. Lock Washer
30. Chain



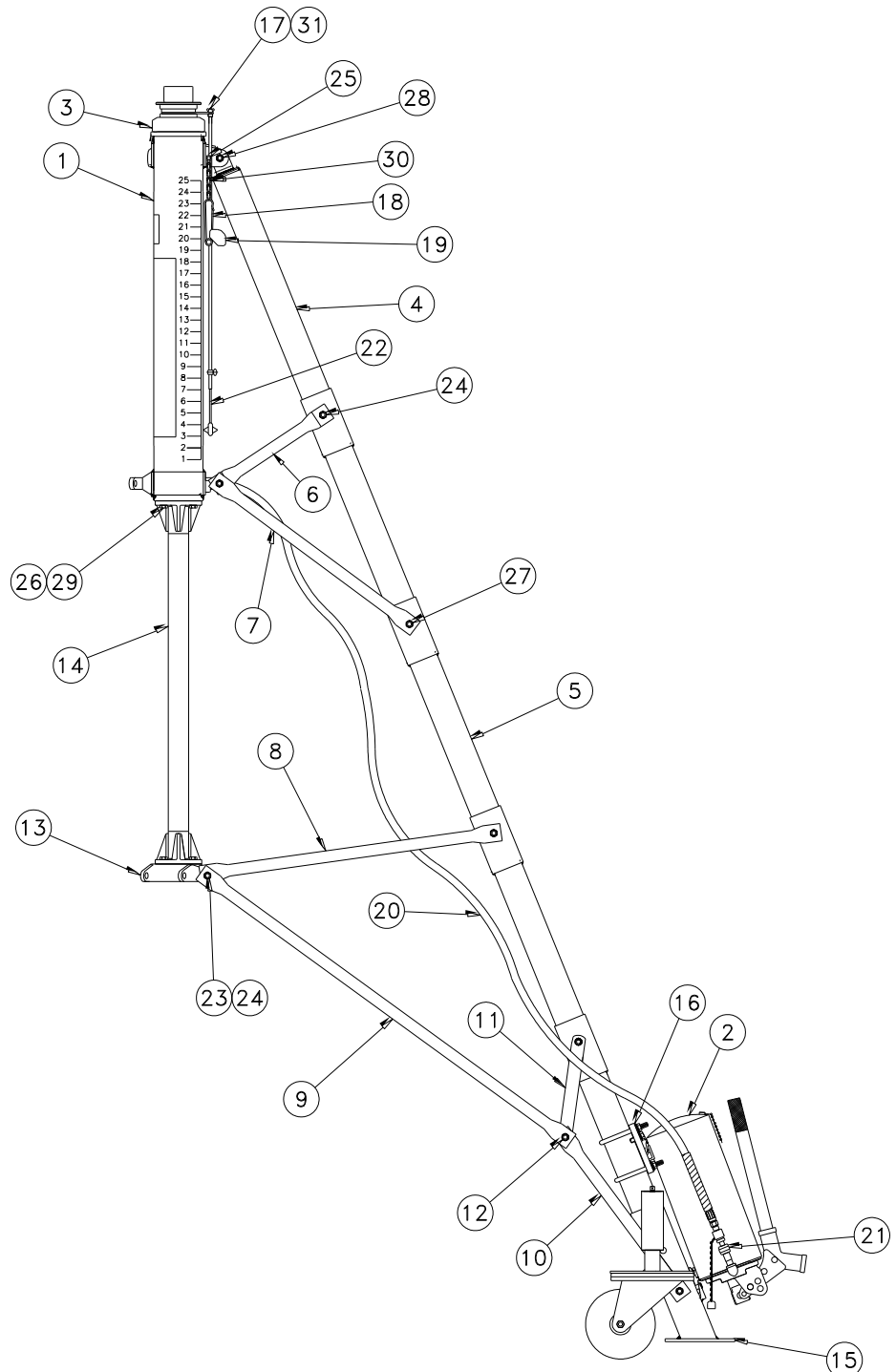
6.0 ASSEMBLY AND ERECTION *(continued)*

6.5 FOUR-LEG EXTENSION ASSEMBLY

1. Be sure foot assemblies and pump assembly are not attached to tripod before installing leg extensions.
2. With the basic jack and one-leg, two-leg and three-leg extensions erected place the flared end of leg extensions (5) over the bottom of leg extensions (5) and align holes. Position ends of brace links (11) over each side of leg extensions (5) and insert bolts (27) through brace links (11), and leg extensions (5). Secure with nuts (24).
3. Insert studs (12) between brace links (11) so that threaded ends of spacers (12) are protruding through center set of holes in brace links (11).
4. Place the free ends of braces #4 (9) and the flat end of braces #5 (10) over each protruding end of spacers (11) and secure with nuts (24).
5. Attach foot assemblies (15) and secure free ends of braces #5 (10) to foot assemblies (15) with bolts (27) and nuts (24).
6. Attach pump assembly (Section 7.0 Pump Assembly Installation).

LEGEND

1. Cylinder Assembly
2. Pump Assembly
3. Ram Assembly
4. Leg, Upper
5. Leg Extension
6. Brace #1
7. Brace #2
8. Brace #3
9. Brace #4
10. Brace #5
11. Link
12. Stud
13. Web
14. Tension Bar
15. Foot Assembly
16. Clamp Assembly
17. Tube Assembly
18. Pin
19. Adapter
20. Hose Assembly
21. Connector
23. Cap Screw 1 3/4 Long
24. Hex Nut
25. Pan Head-d Screw
26. Cap Screw 27/32 Long
27. Cap Screw 4 1/4 Long
28. Cap Screw 1-27/32 Long
29. Lock Washer
30. Chain
31. Wing Nut



6.0 ASSEMBLY AND ERECTION *(continued)*

6.6 PUMP ASSEMBLY INSTALLATION

Place the lug on the lower part of the pump reservoir into the slotted support located on the foot assembly and secure with clamp assembly to right hand leg.

7.0 OPERATION

7.1 LIFTING PROCEDURE

1. Extension screw should be screwed down and ram should be fully retracted.
2. Position jack under load lifting point.
3. Unscrew the extension screw as required.
4. Close release valve.
5. Operate pump to extend ram until contact is made with load lift point and extension screw adapter, with no pressure applied.
6. Rotate jack approximately 15° in any direction to minimize jack movement when load is applied to casters.
7. Operate pump to extend ram until the footpads touch the ground.
8. Extend ram to desired height.



WARNING!

Maintain approximately one (1) inch clearance between locknut and mating surface during raising and lowering of ram.

9. Screw locknut down against cylinder head and screw thumbscrew in locknut down against ram to mechanically secure the lifted load.

NOTE: Thumbscrew must be screwed down against ram to secure lifted load.

10. Open release valve to release hydraulic pressure.

7.2 LOWERING PROCEDURE

1. Close release valve.
2. Unscrew thumbscrew in locknut and operate pump to raise ram until locknut is free to rotate.
3. Slowly open jack release valve and allow ram to fully retract

NOTE: Speed of lowering is controlled by how far release valve is open.



WARNING!

Maintain approximate one (1) inch clearance between locknut and mating surface during lowering of ram.

4. Lower extension screw completely.

7.3 RELIEF VALVE SETTING

1. Position jack under a jack tester. Partially extend the ram.
2. Remove air vent and pipe plug.
3. Insert an 18 inch screwdriver into plug hole and align with relief valve assembly.
4. Operate hand pump and verify that safety valve is set at 10.5 - 11 tons. Increase pressure setting by using screwdriver to adjust safety valve screw clockwise. To decrease pressure setting, adjust safety valve screw counterclockwise.



CAUTION!

Use care not to set valve more than 10% above rated capacity.



WARNING!

DO NOT exceed 11 tons.

5. Remove screwdriver and reinstall air vent and pipe plug.

8.0 TROUBLE SHOOTING

If operational troubles are encountered, refer to the Trouble Shooting Chart which lists the most commonly occurring problems and gives information which will facilitate location of trouble source and determination of remedial action.

TROUBLE	PROBABLE CAUSE	REMEDY
Jack will not rise	Open pump release valve. Ball not seated; oil passing back into reservoir	Close release valve firmly. If necessary, reopen release valve, pump rapidly to flush out foreign matter. Close release valve
	Open suction valve. Ball not seated; oil passing back into reservoir	Pump rapidly to flush system
	Open discharge valve. Ball not seated; oil passing back into pump chamber	Pump rapidly to flush system
	Sticking suction valve	Pump rapidly to flush system
	Clogged screen	Remove and clean
	Lack of oil	Refill - Check for leaks
	Air under ram	Bleed system
	Leaks in hose assembly	Retighten or repair
	Faulty pump safety valve (set too low or it leaks)	Reset adjusting screw
Jack will not raise capacity load	Faulty pump safety valve	Reset adjusting screw
	High pressure leaks at joints, plugs or tubing	Retighten or repair
	Leaky discharge valve	Replace defective parts or rework valve seat in pump base
	Leaky ram o-ring packing	Replace packing
	Leaky pump release	Tighten
Jack will not raise to full height	Lack of oil	Refill reservoir; check system for leaks
	Sticking intake valve	Pump rapidly to dislodge
	Clogged screen	Clean screen
	Closed air vent	Open air vent
Jack rises and falls during each stroke	Leaky discharge valve	Replace defective parts or rework valve seat in pump base
Jack will not hold up load	Leaky release valve	Replace defective parts
	Leaky discharge valve	Replace defective parts or rework valve seat in pumping base
	Leaky ram o-ring packing	Replace packing
	Leaky safety valve	Replace defective parts or rework valve seat in pump base
	Leaks in oil line	Retighten or repair
Jack will not lower the load	Safety ram lock nut not in right place	Loosen screw and rotate nut to top of ram and tighten screw
	Broken pump release valve	Replace defective parts as needed
	Bent ram	Rework ram or replace entire lift unit
Jack will not completely close	Safety ram lock nut not in right place	Loosen screw and rotate nut to top of ram and tighten screw
	Damaged ram	Rework ram or replace entire lift unit
	Air under ram	Bleed system
	Restricted oil passage	Disconnect one end of hose and pump handle rapidly to flush
Excessive pressure required to work handle	Handle position in relation to piston requires adjustment	Disconnect one end of hose and pump handle rapidly to flush
	Restricted oil passage	Disconnect one end of hose and pump handle rapidly to flush
Handle stroke partially ineffective	Sticking intake valve	Open pump release and pump rapidly to flush system
	Clogged screen	Clean screen
	Closed air vent	Open air vent

9.0 MAINTENANCE

There are no special maintenance instructions for this jack.

9.1 SHOP AIDS AVAILABLE

Contact ColumbusJACK/Regent Sales for any shop aids.

9.2 OVERHAUL KITS AVAILABLE

Soft Kit SKTES3-4

Repair Kit TES3-4

10.0 PROVISION OF SPARES

10.1 SOURCE OF SPARE PARTS

Spare parts may be obtained from the manufacturer:

ColumbusJack/Regent

1 Air Cargo Pkwy East

Swanton, Ohio 43558 USA

Telephone: 614.443.7492

Fax: 614.444.9337

E-mail: sales@columbusjack.com

Website: www.columbusjack.com

10.2 RECOMMENDED SPARE PARTS LISTS

Reference the following page(s) for Replacement Parts and Kits available.

11.0 IN SERVICE SUPPORT

Contact Columbus Jack. for technical services and information. See Section 1.3 – Manufacturer.

12.0 GUARANTEES/LIMITATION OF LIABILITY

1. ColumbusJACK Corporation, (Seller) warrants each new product of its manufacture to be free from defects in material or workmanship, under proper, reasonable and normal use and service, and for a period of twelve (12) months after date of shipment from Seller's Swanton, OH. USA facility.
2. Where Buyer claims an alleged defect in material or workmanship and so advises Seller in writing within ten (10) days after discovery thereof, then and in such event, Buyer shall return said equipment, transportation prepaid, to the Seller, provided such return is timely and within twelve (12) months form date of original shipment. This warranty and liability of the Seller is expressly limited solely to replacement of repair of defective parts or goods, and return at Buyer's expense to Seller after find by Seller the product was defective prior to original shipment or, at the option of Seller, to making refund to Buyer of the purchase price for said product.
3. It is further expressly understood and agreed that:
 - a. THERE IS NO WARRANTY, representation of condition OF ANY KIND, express or implied, (INCLUDING NO WARRANTY OF MERCHANT-ABILITY OR OF FITNESS) EXCEPT THAT THE MATERIAL SHALL BE OF THE QUALITY SPECIFIED HEREIN, and none shall be implied by law. Except as otherwise provided herein, quality shall be in accordance with seller's specifications. Final determination of the material for the use contemplated by Buyer is the sole responsibility of Buyer and Seller shall have no responsibility in connection with such suitability, and
 - b. The Buyer's sole and exclusive remedy shall be repair or replacement of defective parts by the Seller. Should the goods, in the judgment of Seller, preclude the remedying of the warranted defects by repair or replacement, the buyer's sole and exclusive remedy shall be the refund of the purchase price, and
 - c. Seller shall not be liable for prospective profits or special, indirect or consequential damages, nor shall any recovery of any kind against Seller be greater in amount than the purchase price of the specific material sold and causing the alleged loss, damage or injury. Buyer assumes all risk and liability for loss, damage or injury to persons or property of Buyer or others arising out of use or possession of any product or part sold hereunder, and
 - d. The Seller shall in no way be deemed or held to be obligated, liable or accountable upon or for any guarantees or warranties, express or implied, or created by statute or by operation of law or otherwise, in any manner of form beyond its express agreement above set forth, and
 - e. No warranty herein shall apply to any product which shall have been repaired or altered, unless such alteration or repair has been made by Seller or where, after return to and inspection by Seller, the product is found by Seller to have been subject to misuse, negligence or accident, and
 - f. No warranty of any nature is made by Seller as to any component forming a part of the product sold and Buyer shall receive only such warranties offered by such other manufacturer pertinent to such component, and
 - g. Seller does not assume nor does Seller authorize any other person to assume for it any other liability or make any warranty in connection with the sale of its products.

The obligations of ColumbusJACK expressly stated herein are in lieu of all other warranties or conditions expressed or implied. **Any unauthorized modification of the ColumbusJACK products or use of the ColumbusJACK products in violations of cautions and warnings in any manual (including updates) or safety bulletins published or delivered by ColumbusJACK will immediately void any warranty, express or implied and ColumbusJACK disclaims any and all liability for injury (WITHOUT LIMITATION and including DEATH), loss or damage arising from or relating to such misuse.**

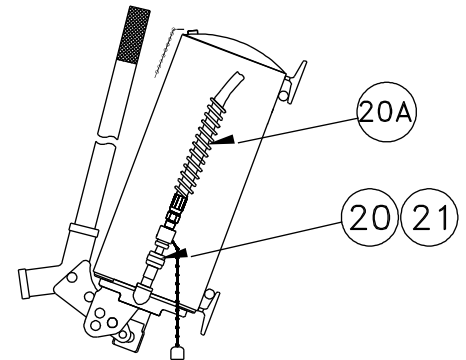
13.0 APPENDICES

APPENDIX I Routine Jack Maintenance Bulletins

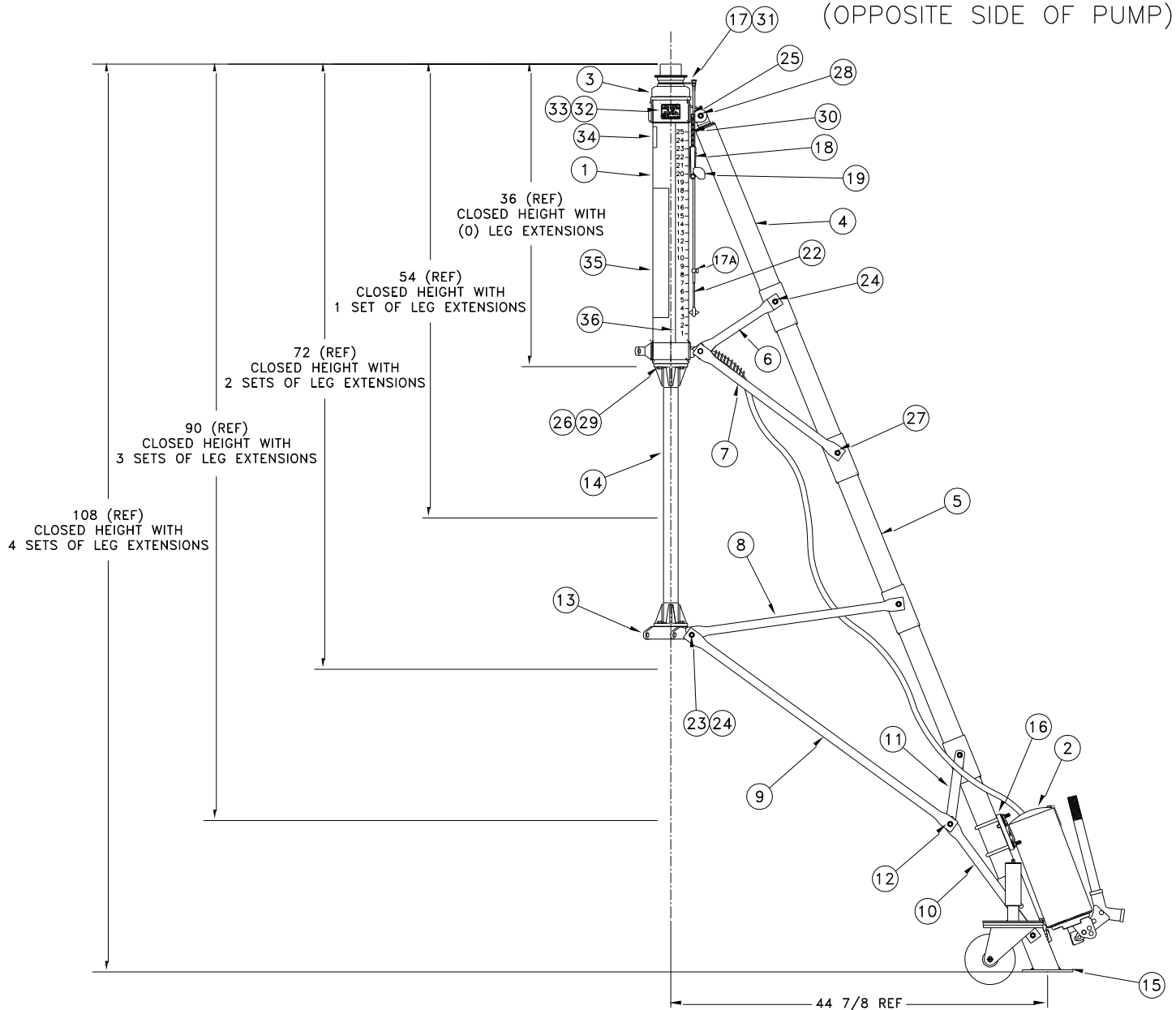
This page left blank intentionally.

Parts List

When ordering replacement parts/kits, please specify model, serial number and color of your unit.



VIEW A
(OPPOSITE SIDE OF PUMP)



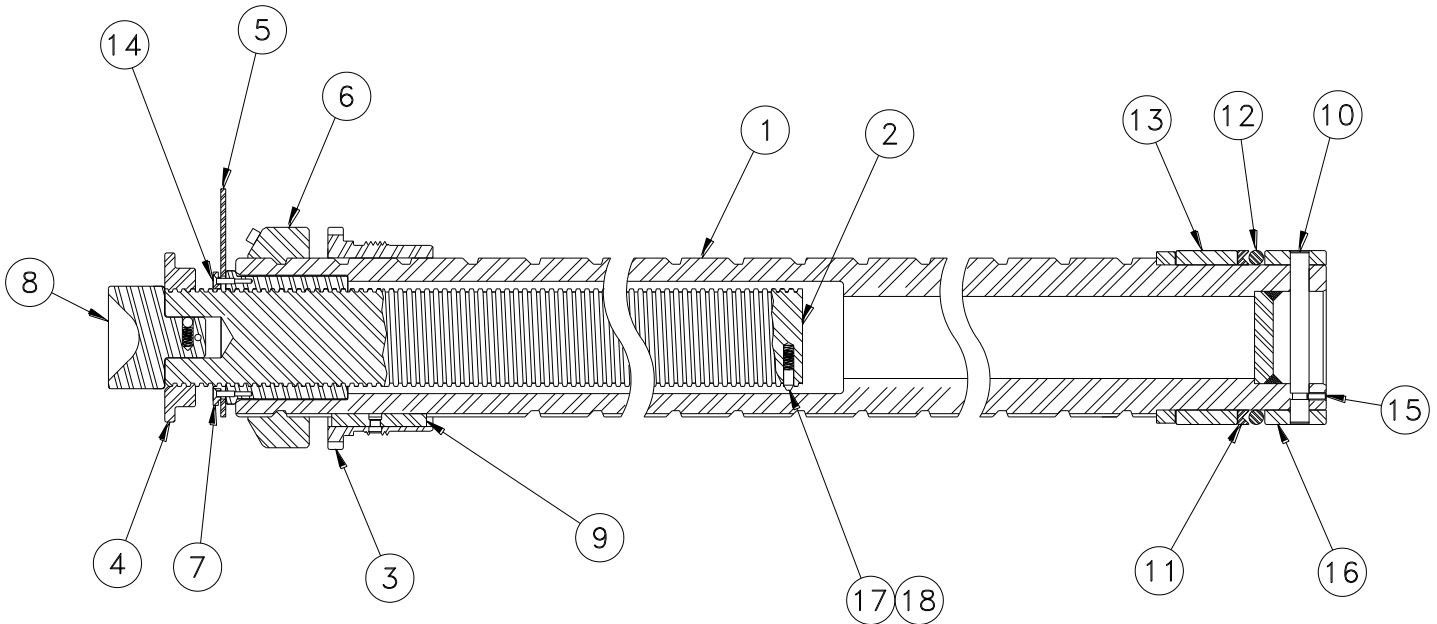
Parts List

When ordering replacement parts/kits, please specify model, serial number and color of your unit.

Item	Part Number	Description	Qty
1	50D25184	Cylinder, Ram	1
2	51D7138	Pump Assembly	1
3	50D25181	Ram Assembly	1
4	50B25197	Leg, Upper	3
5	50B25235	Leg Extension	12
6	50B25213	Brace #1	6
7	50B25211	Brace #2	6
8	50B25216	Brace #3	6
9	50B25214	Brace #4	6
10	50B25145	Brace #5	6
11	50A25203	Link, Brace	6
12	50A25248	Stud, Brace	3
13	50C25244	Web, Brace	1
14	50B25218	Tension Bar	1
15	53D6830	Foot Assembly	3
16	270AS204-2	Clamp Assembly	1
17	49B6450-4	Tube Assembly	1
17A	6-32	Thumbscrew	1
18	JC11636	Pin, Blanket	1
19	42A7530	Adapter	1
20	49B6568	Hose Assembly	1
20A	900732-6	Spring Guard	2
21	43A13906	Connector Assembly, Male	1
22	48A7878-4	Rod-Pointer	1
23	MS90726-114	Hex Head Cap Screw	12
24	MS21044-N8	Hex Nut	36
25	MS35207-261	Pan Head Screw	1
26	AN8-6A	Hex Head Cap Screw	6
27	MS90726-124	Hex Head Cap Screw	15
28	AN8-16A	Hex Head Cap Screw	3
29	AN935-816	Lockwasher	6
30	59J6185-1	Chain	1
31	AN350-1032	Wing Nut	1
32	50A25156	Nameplate	1
33	AN535-2-2	Drive Screw	4
34	42A13047-3	Decal, 10 Ton	1
35	50C25159	Assembly Decal	1
36	50B25162	Decal, Rise Indicator	1

Parts List

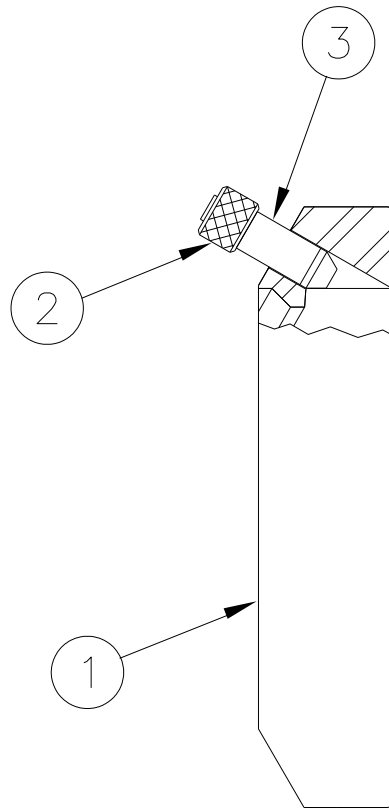
When ordering replacement parts/kits, please specify model, serial number and color of your unit.



Item	Part Number	Description	Qty
	50D25181	Ram Assembly; consists of:	
1	50C25205	Ram and Nut Assembly	1
2	50C25201	Extension Screw	1
3	50B25168	Bearing, Upper	1
4	51B7332	Locknut	1
5	50B25239	Collar, Rise Indicator	1
6	43A12190-4	Locknut Assembly	1
7	50B25259	Retainer	1
8	56B6129	Socket Assembly	1
9	43A12189-2	Key Assembly	1
10	50A25187	Pin	1
11	50B25175-2	Backup Ring	1
12	MS28775-338	O-Ring	1
13	50B25222	Bearing, Ram	2
14	AN510-4-6	Flat Head Machine Screw	4
15	AN565A10H-6	Set Screw	1
16	50B25152	Bearing, Lower	1
17	42A12988	Plunger	1
18	42A12989	Spring	1

Parts List

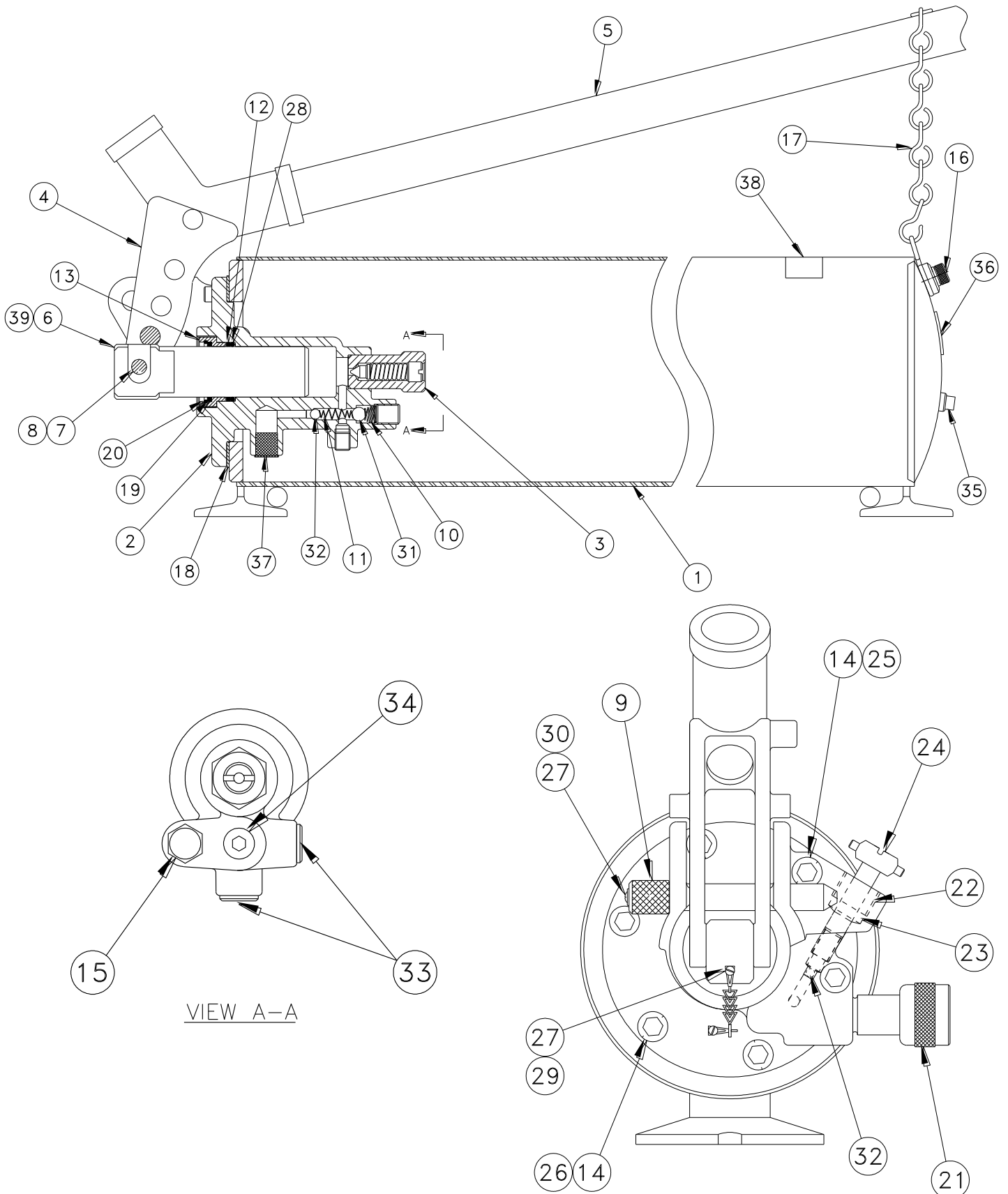
When ordering replacement parts/kits, please specify model, serial number and color of your unit.



Item	Part Number	Description	Qty
	43A12190-4	Nut Assembly; consists of:	
1	50C25229	Locknut	1
2	42A13037	Head, Screw	1
3	42A13036	Retaining Screw	1

Parts List

When ordering replacement parts/kits, please specify model, serial number and color of your unit.



Parts List

When ordering replacement parts/kits, please specify model, serial number and color of your unit.

Item	Part Number	Description	Qty
	51D7138	Pump Assembly ; consists of:	
1	50C25220-2	Reservoir Weldment	1
2	52D6861	Body, Pump	1
3	43A12192-3	Relief Valve Assembly	1
3.1	42A12999	Body	1
3.2	42A13000	Relief Valve	1
3.3	42A13001	Spring	1
3.4	42A13002	Set Screw	1
4	48C7860	Socket, Pump Handle	1
5	48B7861	Handle, Pump	1
6	52B6863	Piston, Pump	1
7	42A13017	Pin, Pump Piston	1
8	42A13016	Roller, Piston Pin	1
9	43A12196	Pin Assembly	1
10	42A13004	Spring	1
11	42A13003	Spring, Intake Valve	1
12	48B7863-2	Backup Ring, Teflon	1
13	52B6864	Nut, Packing	1
14	48A7858	Washer	6
15	43A12191-3	Relief Valve Assembly	1
15.1	42A13009	Body	1
15.2	42A13010	Spring	1
15.3	42A13011	Relief Valve	1
15.4	42A13055	Set Screw	1
16	50B7763	Air Vent Assembly	1
17	43A12197	Chain Assembly	1
18	42A13025	Gasket, Pump Body	1
19	48A7880	Felt Wiper	1
20	48A7866	Retaining Ring	1
21	43A13905	Connector Assembly, Female	
22	42A13022	Nut, Release Stem	1
23	42A13021	Packing, Release Stem	1
24	42A12998	Release Valve Assembly	1
25	450A4276	Socket Head Cap Screw	2
26	378-16060	Socket Head Cap Screw	4
27	450A5313	Chain	AR
28	MS28775-218	O-Ring	1
29	MS35206-261	Pan Head Screw	1
30	MS21318-41	Drive Screw	3
31	MS19059-2417	Ball	1
32	MS19059-2414	Ball	2
33	MS27769U2	Pipe Plug	2

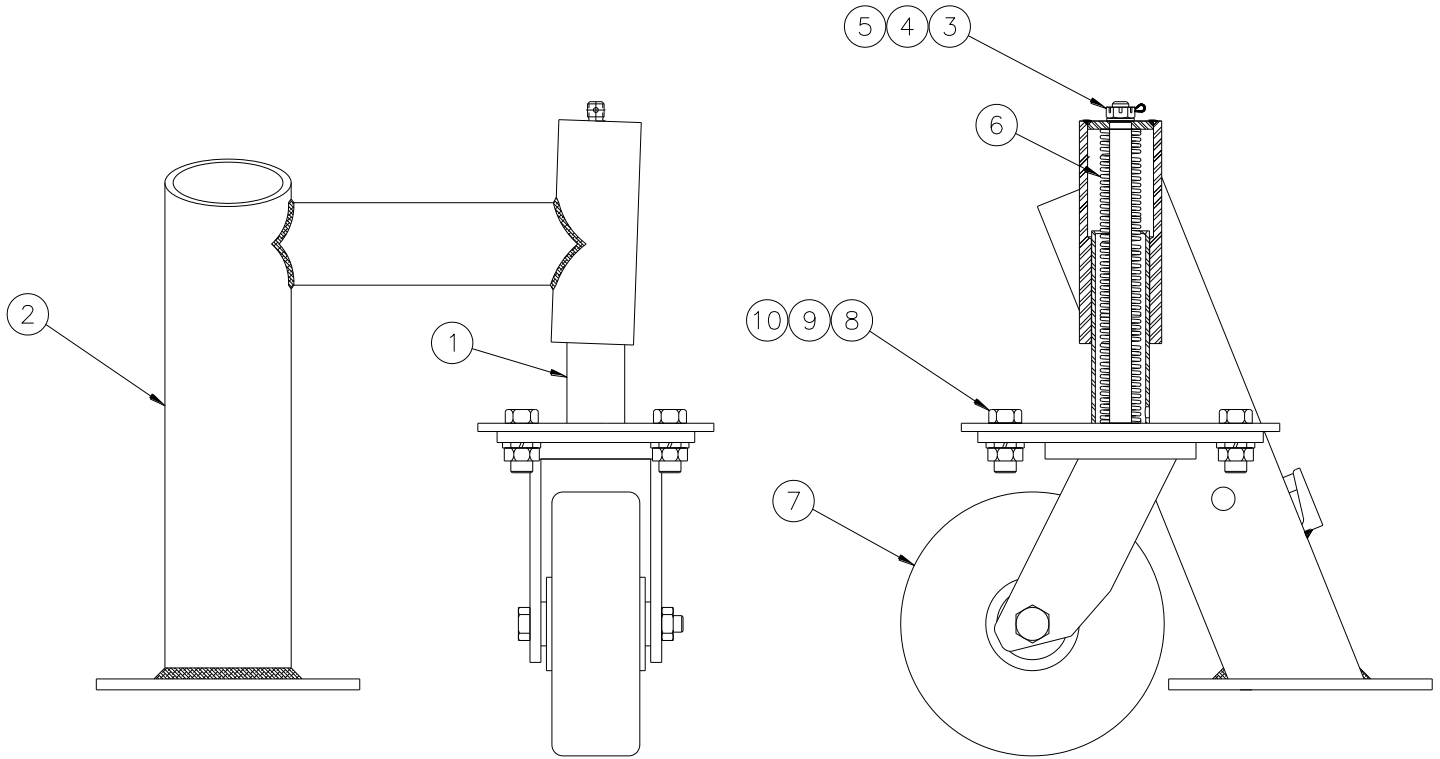
Parts List

When ordering replacement parts/kits, please specify model, serial number and color of your unit.

Item	Part Number	Description	Qty
34	MS27769U3	Pipe Plug	1
35	488-00006	Pipe Plug	1
36	43A12145	Decal, Air Vent Instructions	1
37	D2421	Screen, Brass	1
38	42A13047-3	Decal, 10 Ton Capacity	1
39	MS21318-23	Drive Screw	1

Parts List

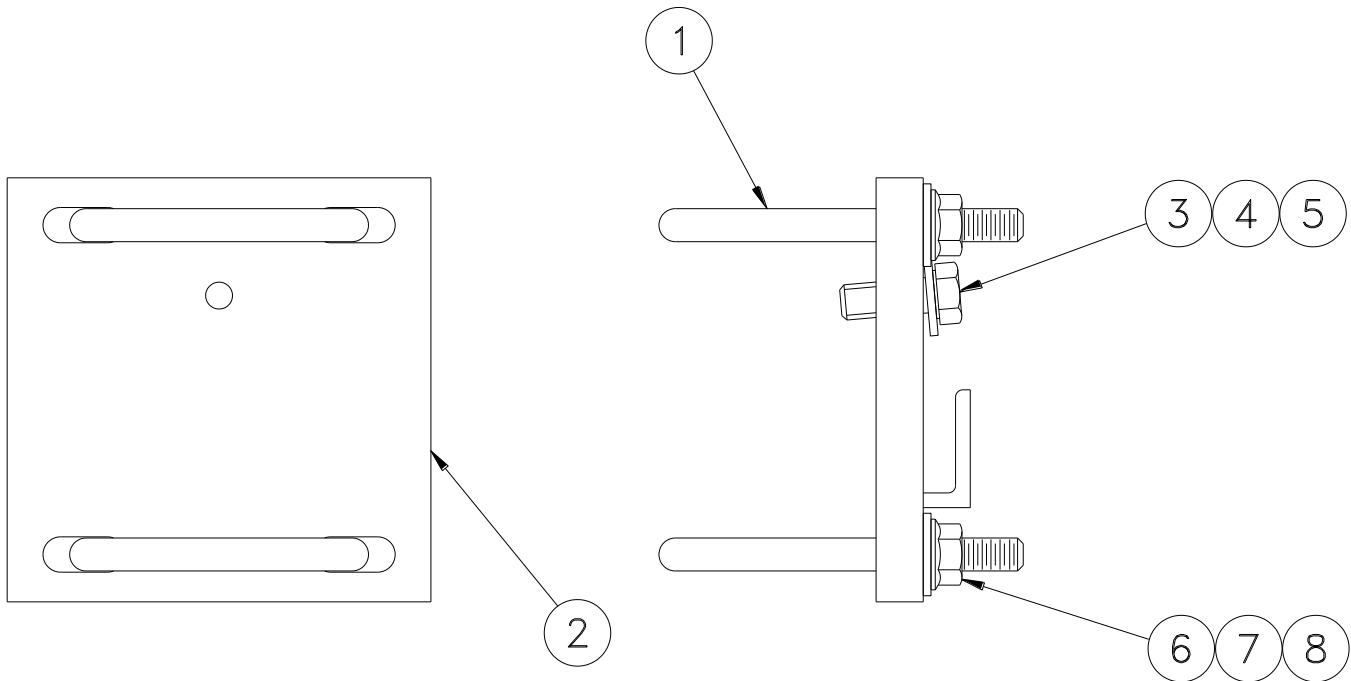
When ordering replacement parts/kits, please specify model, serial number and color of your unit.



Item	Part Number	Description	Qty
	53D6830	Foot Assembly; consists of:	
1	53C6832	Caster Mount Weldment	1
2	53H6831	Foot Assembly	1
3	AN320-6	Hex Nut, Cast.	1
4	AN380-3-3	Cotter Pin	1
5	AN960-616	Flat Washer	1
6	M-54	Spring	1
7	MS24380-6SU	Caster, Swivel	1
8	MS35292-110	Hex Head Cap Screw	4
9	MS35338-48	Lockwasher	4
10	MS51968-14	Hex Nut	4

Parts List

When ordering replacement parts/kits, please specify model, serial number and color of your unit.



Item	Part Number	Description	Qty
	270AS204-2	Clamp Assembly; consists of:	
1	NAS3105C20-18	U-Bolt	2
2	270AS205-1	Plate	1
3	MS35338-46	Lockwasher.	1
4	MS90725-60	Hex Head Cap Screw	1
5	MS27183-13	Flat Washer.	1
6	MS27183-11	Flat Washer	4
7	MS35338-45	Lockwasher	4
8	MS35691-15	Hex Nut, Jam	4



APPENDIX I

Routine Jack Maintenance Bulletins



Routine Jack Maintenance Bulletin

TO PROVIDE COMPLETE INFORMATION ON SERVICING
ColumbusJACK/REGENT QUALITY GROUND HANDLING EQUIPMENT

BULLETIN RJM 102 – PROCEDURE FOR WINTERIZATION OF HYDRAULIC AIRCRAFT JACKS

The following procedures should be utilized for optimum operational characteristics when using jacks at various temperature extremes:

1. Above 0°F (-18°C) Use MIL-PRF-5606, or equal, with no further additive required.
2. At 0° to -20°F (-18°C to 29°C) Use a mixture of 75% MIL-PRF-5606, or equal, and 25% kerosene.
3. Below -20°F (-29°C) Use a mixture of 50% MIL-PRF-5606, or equal, and 50% kerosene.

Due to most company, safety, or union regulations which restrict employees from working out-of-doors below -30°F (-34°C), there is a lack of experience beyond this point. It is permissible, however, to increase the percentage of kerosene up to 100%. As the ambient temperature increases, MIL-PRF-5606, should be added back to the system in the appropriate mixture.

The air supply should be clean and dry. At -30°F (-34°C), the air pump will start to react sluggishly and continue to operate less efficiently as the temperature decreases when a normal air supply is used. The problem can be eliminated by using a dry nitrogen source of sufficient capacity.

To ease the operation of the locknut(s) and screw extension, use "Never Freeze" by Snap-On, or equal, and apply liberally to the thread surfaces.



Routine Jack Maintenance Bulletin

TO PROVIDE COMPLETE INFORMATION ON SERVICING
ColumbusJACK/REGENT QUALITY GROUND HANDLING EQUIPMENT

BULLETIN RJM 116 –SCREW EXTENSION USAGE

When using a jack that has a screw extension, it is advisable that the screw extension be extended as far as possible, and still has the jack roll under the jacking point. If the screw extension is not properly extended, the aircraft may not be able to be raised to the desired height.

A periodic check should be made to the screw extension to ensure that the stop is operating properly to prevent over-extension. To do this, rotate the screw extension counterclockwise until it stops rotating. **DO NOT FORCE THE SCREW EXTENSION BEYOND THIS POINT.** If the screw extension does not stop rotating, remove it and repair the stop. **DO NOT USE WITHOUT THE SCREW EXTENSION STOP WORKING PROPERLY, AS THE JACK COULD FAIL WITH AN OVER-EXTENDED SCREW EXTENSION.**

BULLETIN RJM 147 – RECOMMENDED ANNUAL JACK CERTIFICATION PROCEDURE

The following Recommended Annual Jack Certification Procedure is provided as a guide to insure that hydraulic aircraft jacks are always certified for operation. An annual time interval is a general recommendation only. The actual interval used should include factors for the climatic conditions in which the equipment is stored and the frequency of equipment use. Recommendations for Suggested Preventative Maintenance can be found in RJM 170.

1. With no external load applied to the jack, fully close release valve and fully extend ram(s) to verify function and the absence of external hydraulic leakage.



WARNING!

DO NOT APPLY PRESSURE AGAINST INTERNAL RAM STOP(S).

2. Open release valve and verify ram(s) retract fully.
3. Position jack under jack tester.

NOTE: For tripod jacks, all leg extensions should be installed on the jack.

4. Close release valve, and extend ram(s) until cup adapter contacts jack tester. Make sure that the ram of a single stage jack is partially extended and that the smaller ram of a multi-stage jack is partially extended.
5. Pressurize the jack against the jack tester. Using a calibrated pressure gauge on either the jack or the jack tester, monitor the pressure until the capacity (operating pressure) of the jack is reached.
6. With the jack pressurized against the jack tester, hold in this position for 3 minutes. Verify that the jack pressure has not decreased, indicating internal leakage.
7. Open the release valve to relieve jack pressure against the jack tester.
8. Set the safety relief valve per jack operation and maintenance manual.

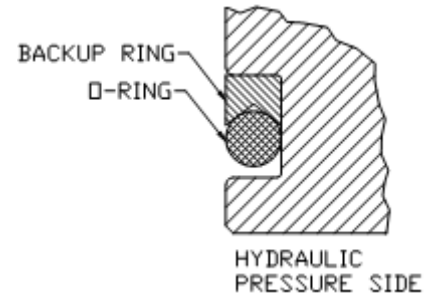
BULLETIN RJM 149 – TEFLON BACKUP RING INSTALLATION PROCEDURE

When installing new Teflon backup rings on a ram or piston of any jack model, the following procedure should be observed to ensure correct installation of the ring. When installing a new backup ring, the corresponding o-ring should always be replaced also.

1. Cut existing o-ring and Teflon backup ring.
2. Clean and visually inspect the groove in the ram or piston for any nicks, scratches or score marks, which could cut the o-ring and backup ring during installation.
3. Check to ensure backup ring is clean and not damaged.
4. Set backup ring on a flat metal surface.
5. Using a propane torch, heat backup ring in a circular motion until backup ring is equally softened and pliable or flexible.
6. Carefully pick-up the HOT Teflon backup ring off the HOT metal plate and stretch the ring enough to fit over the end of the ram (piston).

NOTE: Make sure the "V" cup portion of the backup ring will face the o-ring. (see figure)

7. If backup ring does not return to size after cooling, re-heat backup ring while on the part, and cool quickly with a cold, wet towel or rag.
8. Check to ensure o-ring is clean and not damaged.
9. Carefully stretch o-ring over the end of the ram (piston). Ensure that the o-ring and the "V" cup of the backup ring are facing each other. (See figure)





Routine Jack Maintenance Bulletin

TO PROVIDE COMPLETE INFORMATION ON SERVICING
ColumbusJACK/REGENT QUALITY GROUND HANDLING EQUIPMENT

BULLETIN RJM 170 – SUGGESTED PREVENTATIVE MAINTENANCE FOR JACKS

The following Preventative Maintenance Schedule is provided as a guide to insure that hydraulic aircraft jacks are always ready for operation. The time intervals listed are a general recommendation only. The actual interval used should include factors for the climatic conditions in which the equipment is stored and the frequency of equipment use.

Prior to Operation

1. Inspect for damaged or missing components.
2. Inspect for oil leakage and proper fluid level.
3. Inspect screw extension for mechanical stop.
4. Inspect all snap rings for engagement into grooves.
5. Inspect jack adapter for damage.

Every 6 Months

1. Inspect for worn snap ring grooves.
2. Change hydraulic filters if applicable.
3. If jack has not been used regularly, cycle jack without load.
4. Grease all lube fittings with a general purpose grease.
5. Wipe down ram(s) and screw extension with hydraulic oil.

Every 12 Months

1. Calibrate pressure gauge if applicable per RJM 173.
1. Perform "Recommended Annual Jack Certification Procedure" per RJM 147.



Routine Jack Maintenance Bulletin

TO PROVIDE COMPLETE INFORMATION ON SERVICING
ColumbusJACK/REGENT QUALITY GROUND HANDLING EQUIPMENT

BULLETIN RJM 171 – RECOMMENDED HYDRAULIC OILS

The following hydraulic oils are recommended for use in all ColumbusJACK/Regent products, though any oil compatible with Buna-N seals may be used. Proper oil level should be .5 to 1 inch below the fill port when all rams are collapsed.

Exxon/Mobil Aero HF (MIL-PRF-5606)
Exxon/Mobil DTE-11, -15
NATO Code No. H-538 (MIL-PRF-87257)
Phillips 66 X/C 5606
Royco 783 (Anderol) (MIL-PRF-6083)
Royco 782 (Anderol) (MIL-PRF-83282)
Shell Tellus 10, 15
Shell Aerofluid 31 (MIL-PRF-83282)
Shell Aerofluid 41 (MIL-PRF-5606)
Texaco Regal Oil R & O (32, 46, 100, 150, 220, 320, 460)