



OPERATION & SERVICE MANUAL

Model: 14-6885-6000 Low Pressure Aircraft Tire/Strut Service Gauge

09/2023 - Rev. 03

REVISION	DATE	TEXT AFFECTED
OR	12/2006	Original Release
01	09/2007	Modified Aircraft Pressure Gauge Parts List and Illustration
02	03/2008	Modified Low Pressure Regulator Parts List
03	08/2009	Major revision

TABLE OF CONTENTS

PAGE

1.0	DESCRIPTION	Error! Bookmark not defined.
2.0	SAFETY INSTRUCTIONS	Error! Bookmark not defined.
2.1	GENERAL	2
2.2	SAFETY	2
3.0	OPERATION OF NITROGEN STRUT SERVICE KIT	3
3.1	TRAINING	3
3.2	GENERAL SAFETY REQUIREMENTS	3
4.0	PROVISION OF SPARES	3
4.1	SOURCE OF SPARE PARTS	3
4.2	RECOMMENDED SPARE PARTS LISTS	3
5.0	GAURANTEES/LIMITATION OF LIABILITY	4
6.0	APPENDICES	4

This product can not be modified without the written approval of Tronair, Inc. Any modifications done without written approval voids all warranties and releases Tronair, Inc., its suppliers, distributors, employees, or financial institutions from any liability from consequences that may occur. Only Tronair OEM replacement parts shall be used.

1.0 PRODUCT INFORMATION

1.1 DESCRIPTION

1.1.1 Low Pressure Regulator

- Type Two Stage
- Gas..... Inert only - NO OXYGEN
- Delivery Range..... 0-500 psig
- Maximum Inlet Pressure..... 4,000 psig
- Inlet Connection CGA-580
- Hose Length..... 15 ft
- Outlet Connection..... Hi pressure STD strut valve (.305-32" thread size) without valve core depressor
- Outlet shut-off valve for controlled delivery
- Instrument not affected by moisture, condensation, or other corrosive environmental conditions
- Unit is NOT Skydrol resistant

1.1.2 Aircraft Tire Service Gauge

- Maximum Operating range... 100 psi
- Pressure Gauge Range..... 0-100 psi
- Gauge Dial Graduations..... 1 psi increments
- Accuracy $\pm 1 \frac{1}{2}$ %full scale
- Dial Size 2 $\frac{1}{2}$ "
- Temperature Range -40° to 150° F
- Fill Fluid..... Glycerin
- Lens Material..... Plexiglas
- Hose Length..... 16"
- Inlet Connection Std air valve (.305-32" thread size) without valve core
- Outlet Connection..... Dual foot tire valve (.305-32" thread size) without valve core depressor
- Sealed and filled case with rubber case protector for shock absorption
- Liquid case offers increased reliability and extended calibration life
- Certified gauge
- Unit is designed for low pressure applications
- Instrument not affected by moisture, condensation, or other corrosive environmental conditions
- Unit is NOT Skydrol resistant

1.2 MODEL & SERIAL NUMBER

Reference nameplate on unit

1.3 MANUFACTURER

TRONAIR, Inc.
1 Air Cargo Pkwy East
Swanton, Ohio 43558 USA

Telephone: (419) 866-6301 or 800-426-6301
Fax: (419) 867-0634
E-mail: sales@tronair.com
Website: www.tronair.com

2.0 SAFETY INFORMATION**2.1 USAGE AND SAFETY INFORMATION**

To ensure safe operations please read the following statements and understand their meaning. Also refer to your equipment manufacturer's manual for other important safety information. This manual contains safety precautions which are explained below. Please read carefully.

**WARNING!**

Warning is used to indicate the presence of a hazard that can cause **severe personal injury, death, and/or substantial property damage** if the Warning Notice is ignored.

**CAUTION!**

Caution is used to indicate the presence of a hazard, which will or can cause **minor personal injury or property damage** if the Caution Notice is ignored.

**CAUTION!**

It is MANDATORY that this instruction manual be read and understood by all persons operating this high pressure nitrogen strut service kit.

2.1 GENERAL

Information presented in this manual and on various labels, tags and plates on the unit pertains to equipment design, installation, operation, maintenance and trouble shooting which should be read, understood and followed for the safe and effective use of this equipment.

2.2 SAFETY

The operation, maintenance, and trouble shooting of this high pressure nitrogen strut service kit requires practices and procedures which ensure personal operator safety and the safety of others. Therefore, this equipment is to be operated and maintained only by qualified persons in accordance with this manual and all applicable local codes.

NOTE: Safety instructions specifically pertaining to this kit appear throughout this manual highlighted by the signal words: WARNING, CAUTION, which identify different levels of hazard.



WARNING! Denote practices which if not carefully followed, could result in serious personal injury and/or death.

CAUTION! Denote practices which if not carefully followed, could result in minor personal injury or damage to this equipment.

Nitrogen equipment must be kept clean and free from contaminants at all times. It is imperative that all inspection, maintenance, testing and servicing of nitrogen system components be done by trained and qualified personnel using approved procedures.

3.0 OPERATION OF NITROGEN STRUT SERVICE KIT



WARNING!

TO AVOID SERIOUS INJURY, LOSS OF LIMB, AND/OR DEATH:

1. **DO NOT** use high pressure nitrogen on aircraft components designed for low pressure nitrogen.
2. **DO NOT** use with oxygen or gas other than nitrogen.
3. **DO NOT** exceed 4,000 psi inlet pressure.
4. Servicing and maintenance of nitrogen systems shall be done by only trained and qualified personnel using approved procedures.

3.1 TRAINING

Read this entire manual prior to operation of the unit. All personnel using this Nitrogen Service Strut Kit should understand and follow this manual and receive training. We encourage our customers to call Tronair at 800-426-6301 to discuss any operating or testing requirements.

3.2 GENERAL SAFETY REQUIREMENTS

Pressures: Gasses under pressure are a potential hazard in the form of stored energy. Accidents can occur when this energy is improperly handled. Be sure that all equipment used is compatible and designed to control the pressures encountered.

Nitrogen: Nitrogen is chemically stable, non-flammable, and does not support combustion.

Handling: Nitrogen handling must be done with care. The rapid expansion of nitrogen gas from a high pressure source to an area of low pressure can produce cryogenic temperatures which could cause severe burns.



WARNING!

DO NOT use on low pressure nitrogen system or components.

If there are any differences between the following instructions and the aircraft maintenance manual, the aircraft maintenance manual will take precedence.

Be sure fill line is secured prior to purging the unit. This will prevent the nose end from whipping about if too much nitrogen is allowed to flow through the unit.



CAUTION!

Be sure all valves and controls are in the closed (OFF) position.

4.0 PROVISION OF SPARES

4.1 SOURCE OF SPARE PARTS

Spare parts may be obtained from the manufacturer:

TRONAIR , Inc.	Telephone: (419) 866-6301 or 800-426-6301
1 Air Cargo Pkwy East	Fax: (419) 867-0634
Swanton, Ohio 43558 USA	E-mail: sales@tronair.com
	Website: www.tronair.com

For Spare Parts, Operations & Service Manuals or Service Needs:
Scan the QR code or visit Tronair.com/aftermarket



4.2 RECOMMENDED SPARE PARTS LISTS

Reference the following page(s) for Replacement Parts and Kits available.

5.0 GAURANTEES/LIMITATION OF LIABILITY

Tronair products are warranted to be free of manufacturing or material defects for a period of one year after shipment to the original customer. This is solely limited to the repair or replacement of defective components. This warranty does not cover the following items:

- a) Parts required for normal maintenance
- b) Parts covered by a component manufacturers warranty
- c) Replacement parts have a 90-day warranty from date of shipment

If you have a problem that may require service, contact Tronair immediately. Do not attempt to repair or disassemble a product without first contacting Tronair, any action may affect warranty coverage. When you contact Tronair be prepared to provide the following information:

- a) Product Model Number
- b) Product Serial Number
- c) Description of the problem

If warranty coverage is approved, either replacement parts will be sent or the product will have to be returned to Tronair for repairs. If the product is to be returned, a Return Material Authorization (RMA) number will be issued for reference purposes on any shipping documents. Failure to obtain a RMA in advance of returning an item will result in a service fee. A decision on the extent of warranty coverage on returned products is reserved pending inspection at Tronair. Any shipments to Tronair must be shipped freight prepaid. Freight costs on shipments to customers will be paid by Tronair on any warranty claims only. Any unauthorized modification of the Tronair products or use of the Tronair products in violation of cautions and warnings in any manual (including updates) or safety bulletins published or delivered by Tronair will immediately void any warranty, express or implied.

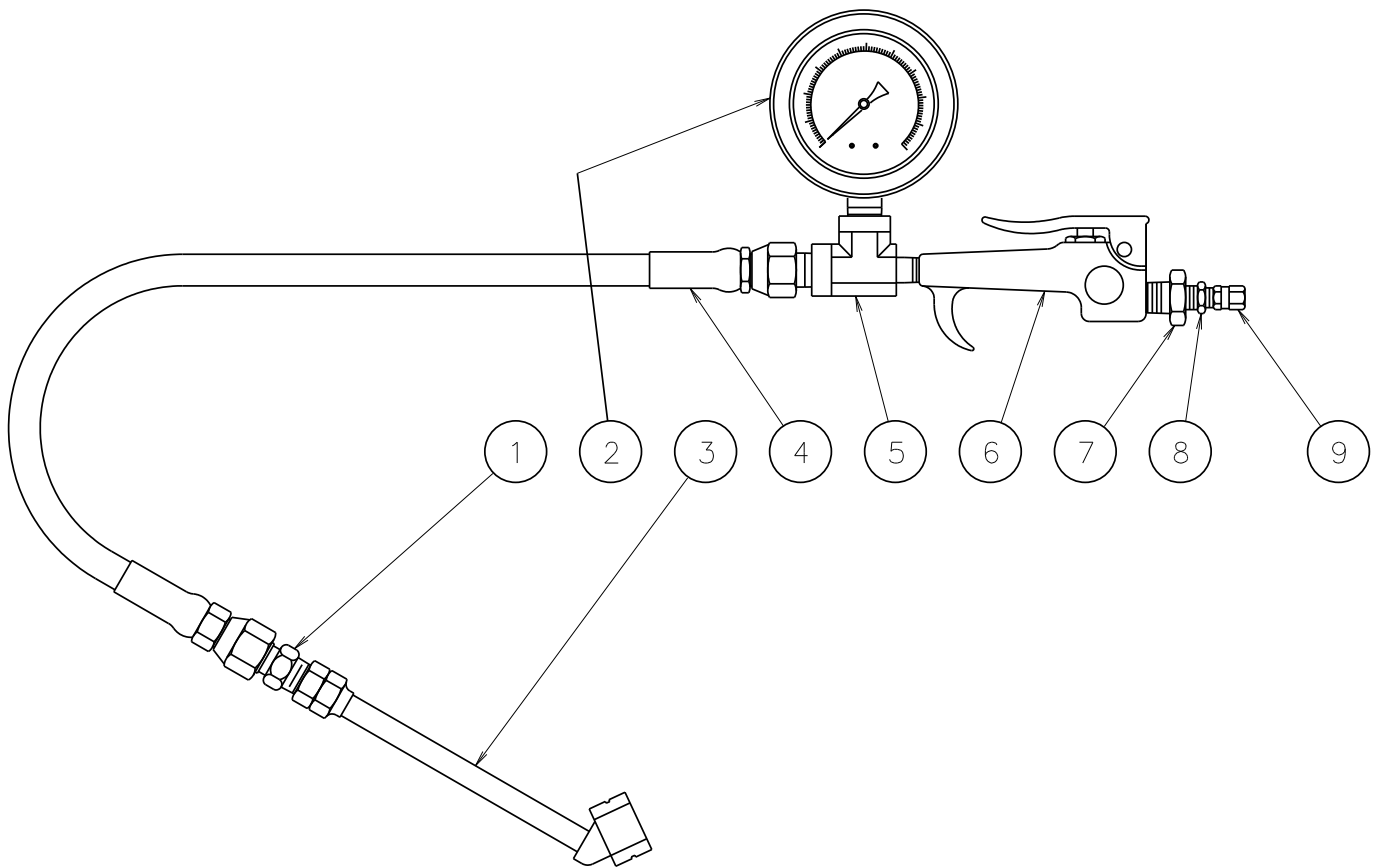
The obligations of Tronair expressly stated herein are in lieu of all other warranties or conditions expressed or implied. **Any unauthorized modification of the Tronair products or use of the Tronair products in violations of cautions and warnings in any manual (including updates) or safety bulletins published or delivered by Tronair will immediately void any warranty, express or implied and Tronair disclaims any and all liability for injury (WITHOUT LIMITATION and including DEATH), loss or damage arising from or relating to such misuse.**

6.0 APPENDICES

APPENDIX I Instrument Certification Notice

Additional Document: Smith Manual

Parts List - Aircraft Tire Pressure Gauge



WARNING!

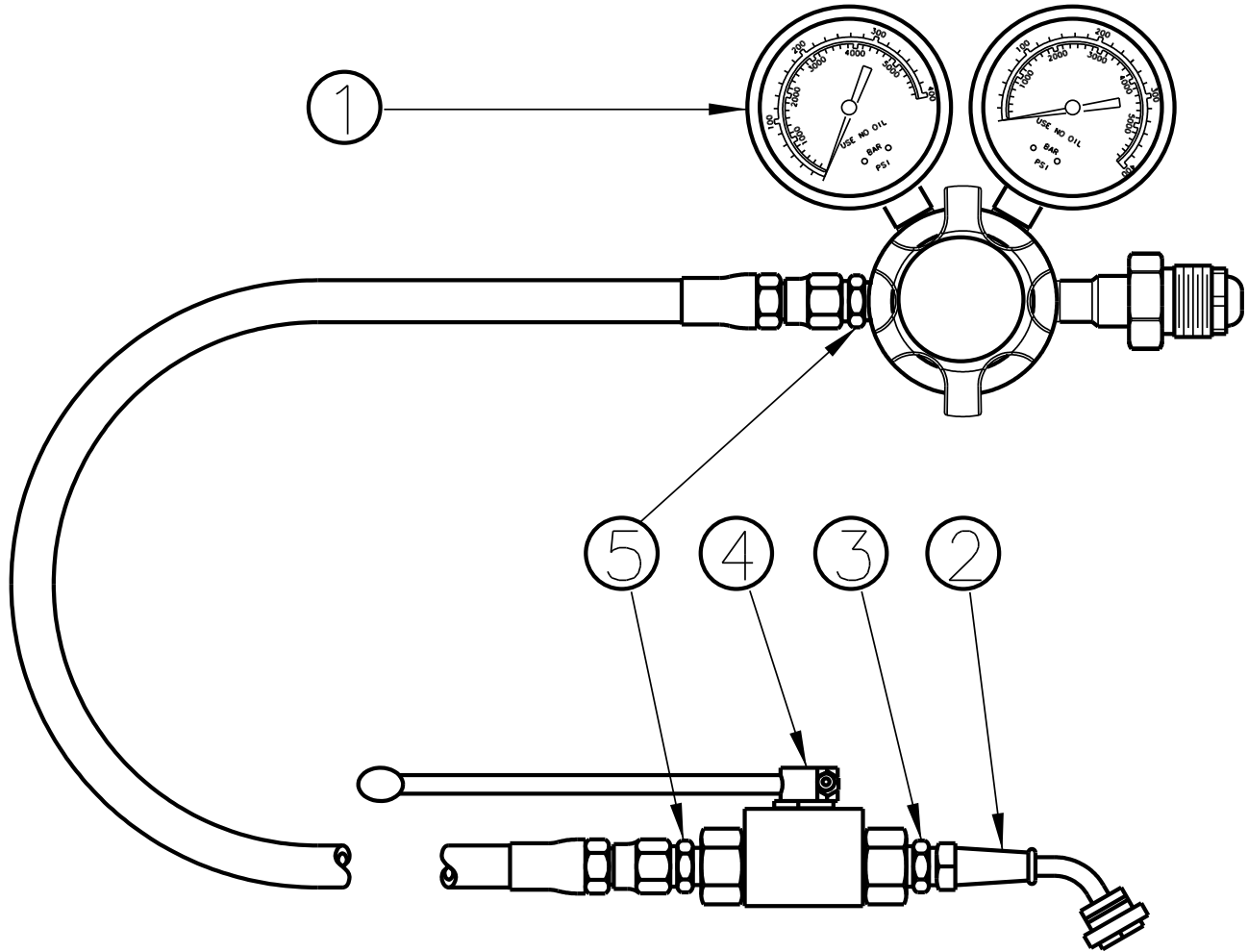


1. The maximum operating pressure for this gauge assembly is 100 psi (13.8 bar).
2. This gauge assembly is NOT Skydrol resistant.

GAUGE CALIBRATION: The pressure gauge is to be calibrated annually or as required. Reference Instrument Certification Notice.

Item	Part Number	Description	Qty
1	N-2009-08-S	Connector, Male	1
2	HC-1835	Gauge, Pressure 100 psi with ROP	1
3	H-2201	Chuck, Dual Foot Air Inflator	1
4	TF-1043-15*16.0	Assembly, Hose, 520N-4 x 16 Long	1
5	N-2209-27-S	Tee, Street	1
6	H-2158	Gun, Lever-Type Air Blow	1
7	N-2210-02-S	Reducer, Pipe Thread	1
8	PC-1073	Valve, High Pressure Strut	1
9	PC-1074	Cap, High Pressure Strut Valve	1

Parts List - Low Pressure Regulator



WARNING!



1. The maximum operating pressure for this assembly is 500 psi (34 bar).
3. This gauge assembly is NOT Skydrol resistant.

GAUGE CALIBRATION: The pressure gauge is to be calibrated annually or as required. Reference Instrument Certification Notice.

Item	Part Number	Description	Qty
1	PC-1048	Regulator, High Pressure CGA-580	1
2	PC-1067	Coupling, High Pressure Hose	1
3	N-2203-03-S	Nipple, Pipe	1
4	HC-1834-02	Valve, Ball	1
5	N-2009-04-S	Connector, Male	1
6	TF-1043-01*180	Assembly, Hose, ¼ x 180 Long	1



APPENDIX I

Instrument Certification Notice



Instrument Certification Notice

The gauge Certificates of Calibration supplied for the gauge(s) on this unit contain the calibration data for the actual instrument calibrated, along with the calibration date of the **STANDARD** used to perform the calibration check.

The due date for re-calibration of the instrument should be based upon the date the instrument was placed in service in your facility. Re-calibration should be done on a periodic basis as dictated by the end user's quality system or other overriding requirements.

Note that Tronair, Inc. does not supply certificates of calibration on flow meters or pyrometers unless requested at the time of placed order. These instruments are considered reference indicators only and are not critical to the test(s) being performed on the aircraft.