

WHELEN AEROSPACE TECHNOLOGIES

Phone: (860) 526-9504

Internet: www.flyWAT.com

Sales/Service e-mail: info@flyWAT.com

Installation Guide: Model 90033()

Flashing Anti-Collision Light Assembly

TSO-C96a
APPROVED

The conditions and tests required for TSO approval of this article are minimum performance standards. Those installing this article either on or within a specific type or class of aircraft must determine that the aircraft installation conditions are within the TSO standards which include any accepted integrated non-TSO functions. TSO articles and any accepted integrated non-TSO function(s) must have separate approval for installation in an aircraft. The article may be installed only according to 14 CFR part 43 or the applicable airworthiness requirements.

⚠ WARNING: This product can expose you to chemicals including Lead which is known to the State of California to cause cancer and birth defects or other reproductive harm. For more information go to www.P65Warnings.ca.gov.

OPERATING INSTRUCTIONS

Nominal Operational Voltage: 27.5 VDC

Average Input Current: 3.2 AMPS

Lamp for all Units: 28VDC, 150 Watts Max.

EQUIPMENT LIMITATIONS

An approved anti-collision system consists of two lights, one located on the top of the vertical fin, and one located on the underside of the fuselage.

AIRWORTHINESS LIMITATIONS

The Airworthiness Limitations section is FAA approved and specifies inspections and other maintenance required under §43.16 and §91.403 of the Federal Aviation Regulations, unless an alternative program has been approved. No airworthiness limitations are associated with the installation of the light assembly.

INSTALLATION PROCEDURES

The following information is to assist you in installing a WAT flashing anti-collision light system.

1. Choose the appropriate Model 90033() replacement light assembly which is applicable to your aircraft.
2. Remove old anti-collision light, locate and save existing +28 VDC lead and (-) ground leads. Clean and prep lead ends as required.
3. Use existing mounting holes and hardware.

NOTE: If a special mounting adapter plate is required, contact Whelen Aerospace Technologies for requirements.

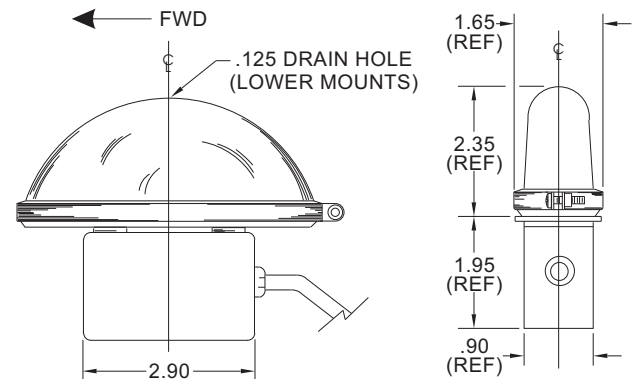
4. Connect existing +28 VDC lead to the white lead on the light assembly and connect existing (-) ground lead to the black lead on the light assembly. Both leads must be connected by an approved aircraft connection.
5. **Breaker Requirements** - Make sure existing system is equipped with an appropriate sized breaker.

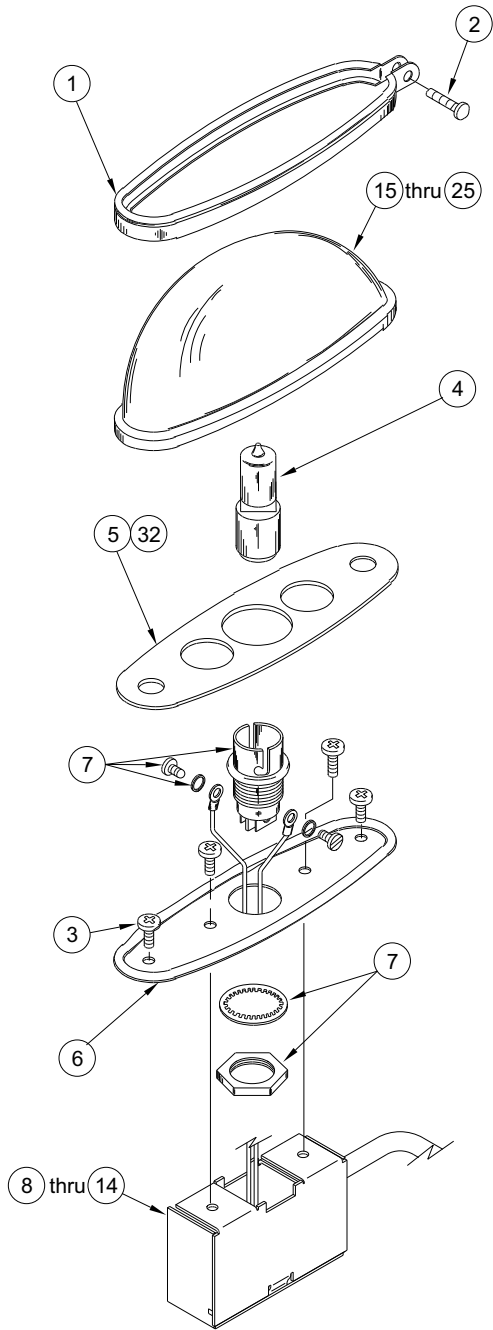
6. Install light assembly and insure that all leads are clear of any obstructions and ty-rop as required. Secure light assembly, use lock washers and/or thread lock, on all threaded fasteners.
7. Check all avionics systems for interference from this installation.
8. A flight check should be performed by a properly certified pilot.
9. When necessary, waterproof the flasher base assembly to aircraft. Apply single part silicone (RTV) or equivalent around any open area where water could get in.
10. If required, update aircraft records utilizing FAA Field Approval (Form 337) or equivalent.

LAMP REPLACEMENT PROCEDURE

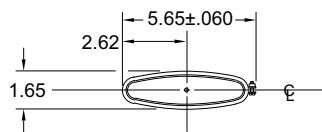
1. Remove clamp ring and lens. Remove old lamp.
2. Install new lamp. Wipe new lamp thoroughly.
3. Install lens and clamp ring. Confirm that the clamp ring and screw are oriented as shown in Fig. 1.

Fig.1

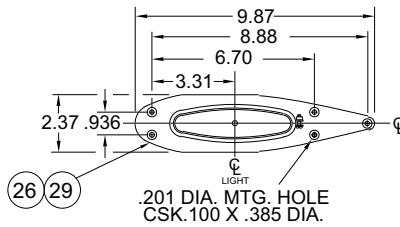




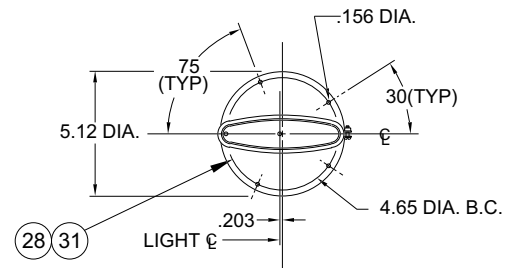
MODEL 90033() REPLACEMENT PARTS			
ITEM	DESCRIPTION	PART NUMBER	USED ON FINAL
1	CLAMP RING ASSEMBLY	19-250155-000	ALL
2	SCREW,#6-32 x 5/8 (MS51957-31)	14-0050503-31	ALL
3	SCREW,#8-32 x 5/8 (MS51957-43)	14-0050504-43	ALL
4	LAMP, 28V,150W	34-0226010-91	ALL
5	SEAL, LENS	38-0250154-00	-05,-06,-11,-12,-13,-14,-17 -18,-25,-26,-29,-30,-33,-34 -37,-38,-41,-42,-43,-44
6	BASE, MOUNTING	06-170166-000	ALL
7	LAMPHOLDER ASSEMBLY	33-06230359-0	ALL
8	FLASHER ASSEMBLY	_____	-01,-02,-03,-04,-05,-06,-09 -10,-11,-12,-19,-20,-23,-24 -33,-34,-43,-44
9	FLASHER ASSEMBLY, MASTER	_____	-29,-30
10	FLASHER ASSEMBLY, SLAVE	_____	-31,-32
11	FLASHER ASSEMBLY	_____	-07,-08,-13,-14,-17,-18,-25 -26
12	FLASHER ASSEMBLY, MASTER	_____	-39,-40
13	FLASHER ASSEMBLY, SLAVE	_____	-41,-42
14	BASE/CABLE ASSEMBLY	_____	-37,-38
15	LENS, AVIATION RED	68-4270140-50	-05,-11,-13,-25,-29,-33,-43
16	LENS, AVIATION WHITE	68-4270140-30	-06,-12,-14,-26,-34,-44
17	LENS, AVIATION RED w/HOLE	68-4250258-58	-01,-03,-07,-09,-19,-23,-31
18	LENS, AVIATION WHITE w/HOLE	68-4250258-38	-02,-04,-08,-10,-20,-24,-32
19	LENS, AVIATION RED w/MASK	68-4250257-52	-17
20	LENS, AVIATION WHITE w/MASK	68-4250257-32	-18
21	LENS, AVIATION WHITE w/MASK	68-4250407-32	-30
22	LENS, AVIATION RED w/MASK	68-4270140-51	-37,-41
23	LENS, AVIATION WHITE w/MASK	68-4270140-31	-38,-42
24	LENS, AVIATION RED w/MASK	68-4270140-52	-39
25	LENS, AVIATION WHITE w/MASK	68-4270140-32	-40
26	ADAPTER, MOUNTING, SMALL	06-170277-008	-05,-06,-11,-12,-15,-16,-25 -26,-29,-30,-33,-34
27	ADAPTER, MOUNTING, LARGE	06-170278-008	-03,-04,-09,-10,-23,-24
28	ADAPTER, MOUNTING, ROUND	06-170276-008	-07,-08
29	GASKET, SMALL MTG. ADAPTOR	38-0270427-00	-05,-06,-11,-12,-15,-16,-25 -26,-29,-30,-33,-34
30	GASKET, LARGE MTG. ADAPTOR	38-0270333-00	-03,-04,-09,-10,-23,-24
31	GASKET, ROUND MTG. ADAPTOR	38-0270334-00	-07,-08
32	SEAL, LENS, FUEL RESISTANT	38-0250154-01	-01,-02,-03,-04,-07,-08,-09 -10,-5D,-6D,-19,-20,-23,-24 -31,-32,-39,-40



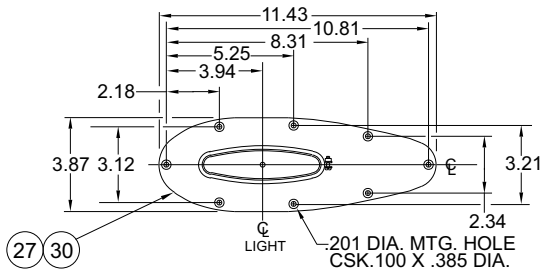
TOP VIEW 90033-1,-2,-13,-14,-17,-18,-19,-20,
-31,-32,-37,-38 & -39 THRU -44



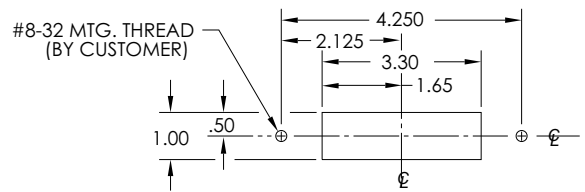
TOP VIEW 90033-5,-6,-11,-12,-25,
-26,-29,-30,-33 & -34



TOP VIEW 90033-7 & -8 (LOWER MOUNT ONLY)



TOP VIEW 90033-3,-4,-9,-10,-23, & -24



90033-1,-2,-13,-14,-17,-18,-19,-20,-31,-32,-37 THRU -44