



OPERATION & SERVICE MANUAL

**Model: 01-1292-0000
Portable Towbar
Cessna
Citation III, VI, VII, X,
560XL, 560XLS, 650, X750,
Longitude 700, Sovereign 680**



07/2019 – Rev. 06

**For Spare Parts, Operations & Service Manuals or Service Needs
Scan the QR code or visit Tronair.com/aftermarket**



REVISION	DATE	TEXT AFFECTED
03	10/2005	1.0 Modified finish
04	03/2007	Added CE marking, 3.2.1 added warning
05	09/2016	Major revision
06	07/19	Modified 1.1 Description & 1.4 Specifications

TABLE OF CONTENTS

PAGE

1.0	PRODUCT INFORMATION	1
1.1	DESCRIPTION.....	1
1.2	MODEL & SERIAL NUMBER.....	1
1.3	MANUFACTURER	1
1.4	SPECIFICATIONS	1
1.5	FEATURES.....	1
2.0	SAFETY INFORMATION.....	2
2.1	GENERAL.....	2
3.0	TRAINING.....	2
3.1	TRAINING REQUIREMENTS	2
3.2	TRAINING PROGRAM	2
3.3	OPERATOR TRAINING.....	2
4.0	OPERATION.....	2
4.1	PRELIMINARY CHECKLIST.....	2
4.1.1	Towbar.....	2
4.1.2	Towing Head.....	2
4.1.3	Sliding Pin	2
4.2	USAGE PROCEDURE.....	3
4.2.1	Aircraft Attachment.....	3
4.2.2	Tug Attachment.....	3
4.2.3	Couplers.....	3
4.2.4	Towing Operation.....	4
5.0	PROVISION OF SPARES.....	4
5.1	SPARE PARTS	4
5.2	RECOMMENDED SPARE PARTS LISTS	4
6.0	IN-SERVICE SUPPORT.....	4
7.0	GUARANTEES/LIMITATION OF LIABILITY	5
8.0	APPENDICES	5

Tronair towbars/heads must only be used with matching Tronair heads/towbars, and Tronair shear pins.

This product can not be modified without the written approval of Tronair, Inc. Any modifications done without written approval voids all warranties and releases Tronair, Inc., its suppliers, distributors, employees, or financial institutions from any liability from consequences that may occur. Only Tronair OEM replacement parts shall be used.

1.0 PRODUCT INFORMATION

1.1 DESCRIPTION

The Tronair Model 01-1292-0000 Portable Towbar is a lightweight, carry-on towbar for use with the Cessna Citation III, VI, VII, X, 560XL, 560XLS, 650, X750, Longitude 700 and Sovereign 680 Aircraft.

The portable towbar includes two telescoping tube sections which collapse for storage. There is an eyebolt at the end of the towbar for towing. The portable towbar uses machined hooks to attach to the tow point.

1.2 MODEL & SERIAL NUMBER

Reference nameplate on unit

1.3 MANUFACTURER

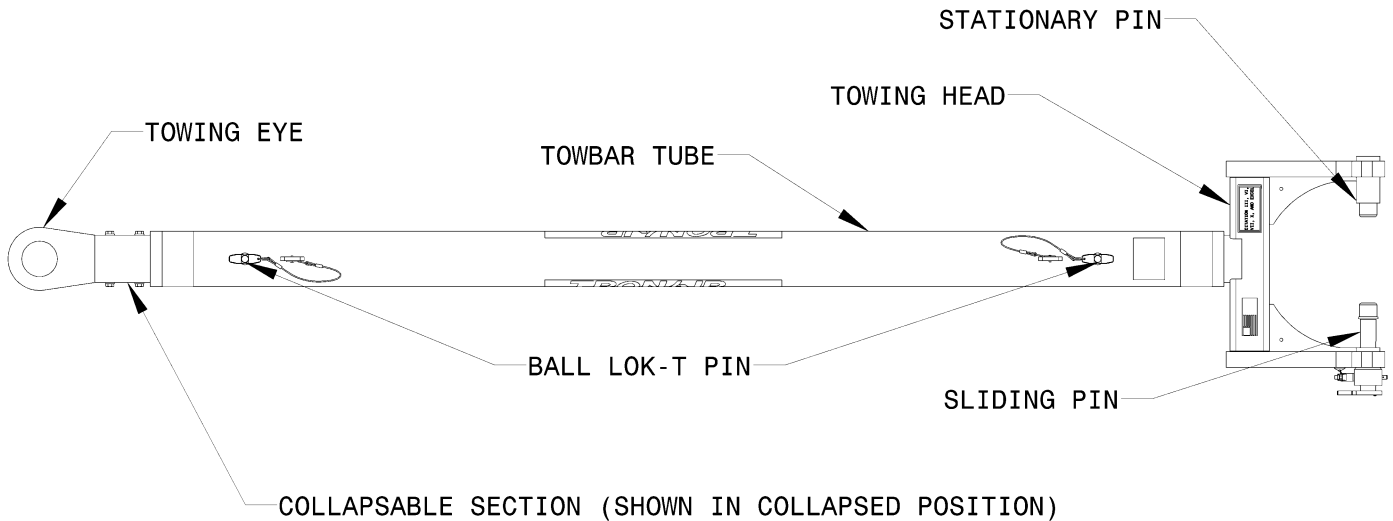
TRONAIR, Inc.
 1 Air Cargo Pkwy East
 Swanton, Ohio 43558 USA

Telephone: (419) 866-6301 or 800-426-6301
 Fax: (419) 867-0634
 E-mail: sales@tronair.com
 Website: www.tronair.com

1.4 SPECIFICATIONS

Application:.....	Cessna Citation III, VI, VII, X, 560XL, 560XLS, 650, X750, Longitude 700 and Sovereign 680 Aircraft
Maximum Aircraft Gross Weight:.....	39,700 lbs (18 Metric tons)
Length	129 11/16 in (329.4 cm) From eyebolt centerline to end of towbar in extended position
	85 3/16 in (216.4 cm) From eyebolt centerline to end of towbar in collapsed position
Width	14.875 in (37.8 cm)
Weight:	56 lbs (25.4 kg)
Finish:.....	Powder Coat

1.5 FEATURES



2.0 SAFETY INFORMATION

2.1 GENERAL

The Tronair Model 01-1292-0000 Portable Towbar is a lightweight, carry-on towbar for use with the Cessna Citation III, VI, VII, X & Excel Aircraft.

To ensure safe operation, please read the following statements and understand their meaning. This manual contains safety precautions which are explained as follows. Please read carefully.



WARNING! Warning is used to indicate the presence of a hazard that can cause **severe personal injury, death, and/or substantial property damage** if the Warning Notice is ignored.

CAUTION! Caution is used to indicate the presence of a hazard which will or can cause **minor personal injury or property damage** if the Caution Notice is ignored.



WARNING!

A damaged or bent towbar should not be used. Towbar should be repaired or replaced.

3.0 TRAINING

3.1 TRAINING REQUIREMENTS

The employer of the operator is responsible for providing a training program sufficient for the safe operation of the towbar.

3.2 TRAINING PROGRAM

The employer provided operator training program should cover safety procedures concerning use of the towbar in and around the aircraft at the servicing location.

3.3 OPERATOR TRAINING

The operator training should provide the required training for safe operation of the towbar.

NOTE: Maintenance and Trouble Shooting are to be performed by the skilled and trained technician.

4.0 OPERATION

4.1 PRELIMINARY CHECKLIST

4.1.1 Towbar

- Check lunette mounting bolts. Ensure the fasteners are not loose or missing.
- Check lunette for bending, excessive wear and deformity.
- Check ball lok-T pins. Ensure ball lok-T pins are securely attached to towbar via their lanyards. Ensure ball lok-T pins are not missing.

4.1.2 Towing Head

- Check weld between connector tube and head rail for cracks.
- Check weld between side rails and head rail for cracks.
- Check weld between side rail and stationary pin for cracks.
- Check weld between side rail and sliding pin sleeve for cracks.

4.1.3 Sliding Pin

- Check sliding pin for bending or excessive wear. Ensure sliding pin slides freely.
- Check sliding pin ball lok-T pin. Ensure ball lok-T pin is securely attached to the towing head via its lanyard.
- Ensure ball lok-T pin is not loose or missing.

4.2 USAGE PROCEDURE

4.2.1 Aircraft Attachment



CAUTION!

It is recommended that your towbar be attached to the aircraft first, and then connected to the tug to avoid possible aircraft damage.



WARNING!

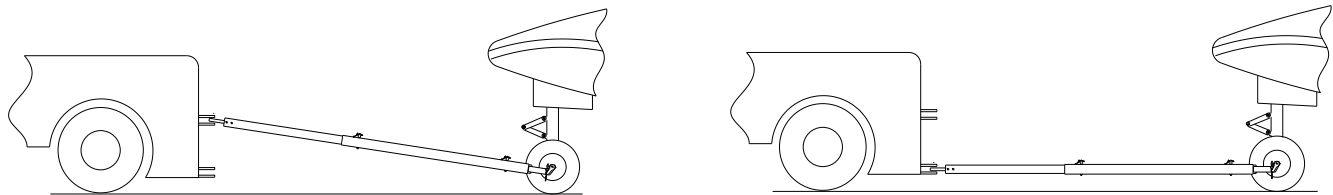
Tronair recommends the use of a towbar with a category 1 or category 2 tug and aircraft not exceeding 75,000 lbs gross weight. Using the towbar with aircraft weighing in excess of this specific limitation may result in excessive loads and stresses being applied to the towbar and/or the aircraft. These excessive loads may cause failure of the towbar which could cause damage (INCLUDING WITHOUT LIMITATION to the aircraft) and/or personal injury OR DEATH. **TRONAIR MAKES NO REPRESENTATION, WARRANTY OR GUARANTEE AS TO SUCH MISUSE AND DISCLAIMS ANY AND ALL LIABILITY FOR INJURY, LOSS OR DAMAGE ARISING FROM OR RELATING TO SUCH MISUSE.**

4.2.2 Tug Attachment



CAUTION!

Damage to the towbar or aircraft can result from an excessive towbar angle during towing operations. *Reference Figure 1.*



Incorrect
Excessive Towbar Angle

FIGURE 1

Correct

- Use a pintle height so that the towbar is as level as possible during towing. Also, the pintle hook height should prevent contact of the towbar with the ground during towing.

4.2.3 Couplers



CAUTION!

Damage to the towbar or aircraft can result while towing with the following types of couplers:

- Lift Head
- Vertical Side Swing Latch
- Standard Duty Latch
- Swivel Hook

The couplers listed above are known to cause binding and failure in the lunette eye. Indicators of binding are wear on outside diameter of the eyebolt and indentation on the inside diameter of the eyebolt. *Reference Figure 2.*

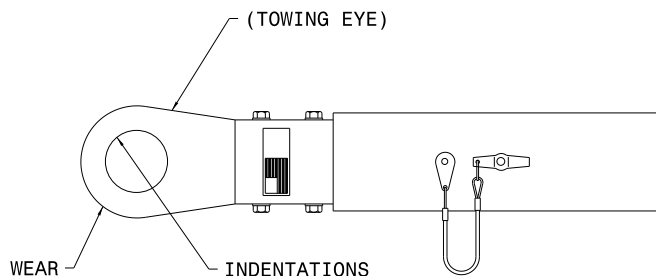


FIGURE 2

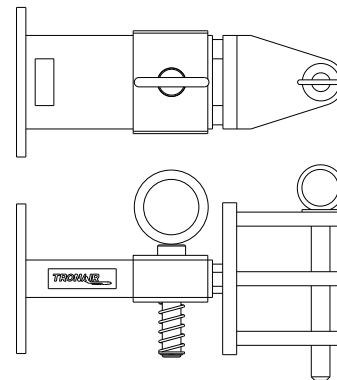


FIGURE 3
01-1950-5000 Standard Telecoupler

Tronair recommends a telecoupler pintle hook arrangement. This arrangement is known to eliminate binding. Tronair offers a Standard Telecoupler, Model Number 01-1950-5000, for use on tugs. *Reference Figure 3*

4.2.3 Couplers (continued)

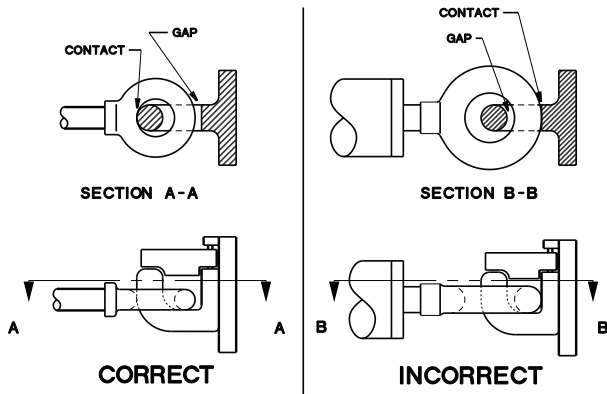


FIGURE 4

To ensure proper towing and pushing, check to make sure the pintle pin diameter is not too long for the eyebolt's inside diameter. An approximate one-half inch (1/2") gap between the pin diameter and the eyebolt should be seen. If any of these conditions are not met, please contact Tronair for information to obtain a new coupler.

4.2.4 Towing Operation

Damage to the towbar or aircraft can result from pushing an aircraft while maintaining too sharp of an angle between the tug and the aircraft. Contact between the towbar weldment and the tug must be avoided. It is recommended that the angle between the tug and towbar not exceed 90°.

Reference Figure 5.

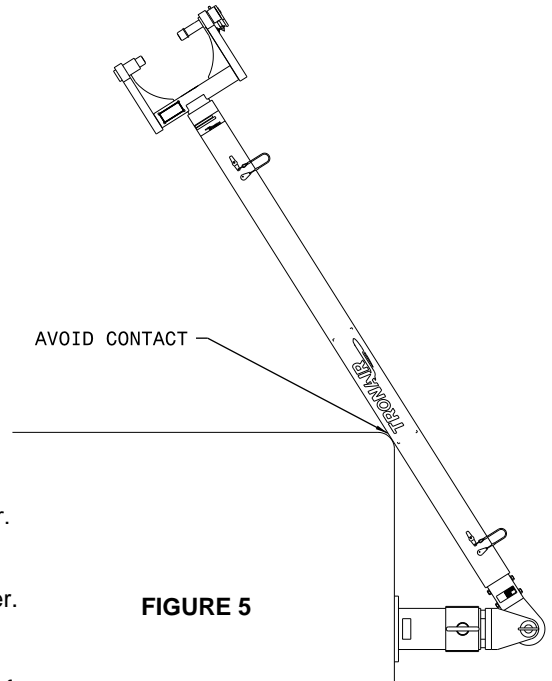


FIGURE 5

5.0 PROVISION OF SPARES

5.1 SPARE PARTS

Spare parts may be obtained from the manufacturer:

TRONAIR, Inc.	Telephone: (419) 866-6301 or 800-426-6301
1 Air Cargo Pkwy East	Fax: (419) 867-0634
Swanton, Ohio 43558 USA	E-mail: sales@tronair.com
	Website: www.tronair.com

For Spare Parts, Operations & Service Manuals or Service Needs:
 Scan the QR code or visit Tronair.com/aftermarket



5.2 RECOMMENDED SPARE PARTS LISTS

Reference the following page(s) for Replacement Parts and Kits available.

Part Number	Description
G-1310-0835	PIN, 1/2 X 3.5 BALL LOK-T
R-2128	PIN, SLIDING

6.0 IN-SERVICE SUPPORT

Contact Tronair, Inc. for technical services and information. See Section 1.3 – Manufacturer.

7.0 GUARANTEES/LIMITATION OF LIABILITY

Tronair products are warranted to be free of manufacturing or material defects for a period of one year after shipment to the original customer. This is solely limited to the repair or replacement of defective components. This warranty does not cover the following items:

- a) Parts required for normal maintenance
- b) Parts covered by a component manufacturer's warranty
- c) Replacement parts have a 90-day warranty from date of shipment

If you have a problem that may require service, contact Tronair immediately. Do not attempt to repair or disassemble a product without first contacting Tronair, any action may affect warranty coverage. When you contact Tronair be prepared to provide the following information:

- a) Product Model Number
- b) Product Serial Number
- c) Description of the problem

If warranty coverage is approved, either replacement parts will be sent or the product will have to be returned to Tronair for repairs. If the product is to be returned, a Return Material Authorization (RMA) number will be issued for reference purposes on any shipping documents. Failure to obtain a RMA in advance of returning an item will result in a service fee. A decision on the extent of warranty coverage on returned products is reserved pending inspection at Tronair. Any shipments to Tronair must be shipped freight prepaid. Freight costs on shipments to customers will be paid by Tronair on any warranty claims only. Any unauthorized modification of the Tronair products or use of the Tronair products in violation of cautions and warnings in any manual (including updates) or safety bulletins published or delivered by Tronair will immediately void any warranty, express or implied.

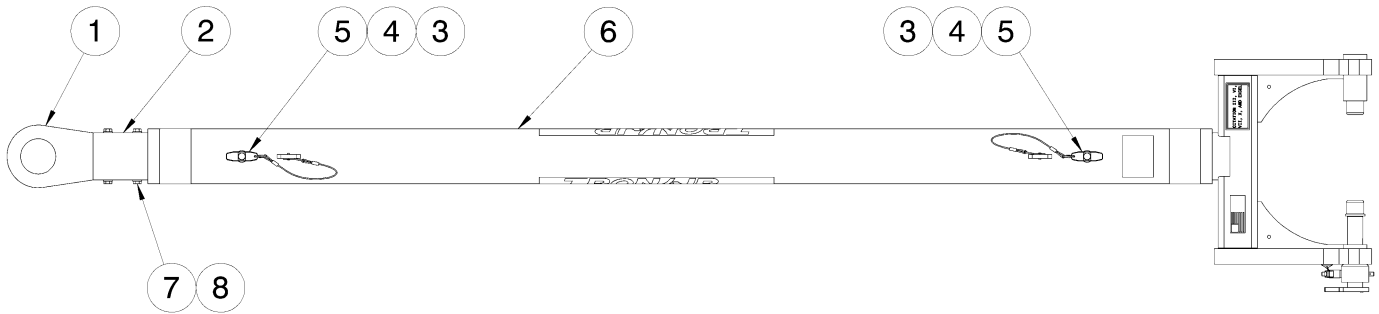
The obligations of Tronair expressly stated herein are in lieu of all other warranties or conditions expressed or implied. **Any unauthorized modification of the Tronair products or use of the Tronair products in violations of cautions and warnings in any manual (including updates) or safety bulletins published or delivered by Tronair will immediately void any warranty, express or implied and Tronair disclaims any and all liability for injury (WITHOUT LIMITATION and including DEATH), loss or damage arising from or relating to such misuse.**

8.0 APPENDICES

APPENDIX I Declaration of Conformity

Parts List

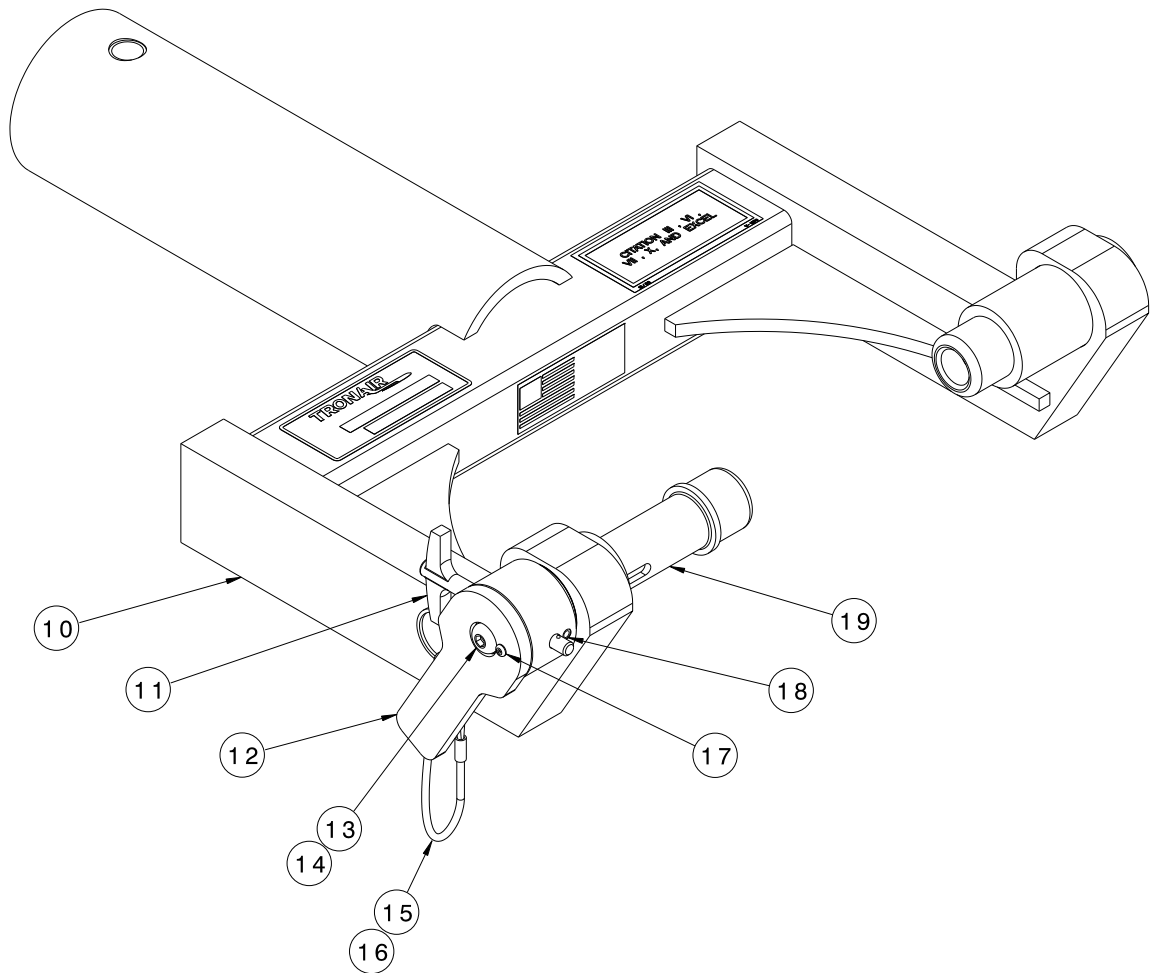
When ordering replacement parts/kits, please specify model, serial number and color of your unit.



Item	Part Number	Description	Qty
1	J-2414-01	Plate, Eyebolt	1
2	TR-1494-01-01	Tube, Inner	1
3	H-1026*07.0	Assembly, Lanyard	2
4	G-1351-04	Rivet, 1/8 Open-End Steel	2
5	G-1310-0835	Pin, Ball Lok-T, 1/2" diameter x 3.5" long	2
6	Z-9214-01	Weldment, Outer Tube	1
7	G-1420-106006	Bolt, Hex Head, Grade 8, 5/16-18 x 3/4" long	4
8	G-1251-1060R	Lockwasher, 5/16 Regular	4

Parts List

When ordering replacement parts/kits, please specify model, serial number and color of your unit.



Item	Part Number	Description	Qty
10	Z-5139-01	Weldment, Head	1
11	G-1310-0418	Pin, Ball Lok-T, 1/4" diameter x 1.8" long	1
12	J-3491-01	Handle, Sliding Pin	1
13	G-1154-106204	Screw, Button Socket Head Cap, 5/16-18 x 1/2" long	1
14	G-1253-02	Lockwasher, 5/16 External Tooth	1
15	H-1026*07.0	Assembly, Lanyard	1
16	G-1351-04	Rivet, 1/8 Open-End Steel	1
17	G-1154-100004	Screw, Button Socket Head Cap, #4-40 x 1/2" long	1
18	G-1300-19040	Pin, 3/16" diameter x 1/2" long, Roll	1
19	R-2128	Pin, Sliding	1



APPENDIX I

Declaration of Conformity



EU Declaration of Conformity

Model Number(s) 01-1292-0000

Product Type/Name: Custom Towbar

Serial Number(s): Enter serial number(s)

Declaration: Tronair has assessed the equipment described above against the Essential Health and Safety Requirements of one or more Directives. Based on this assessment, the equipment described above is deemed to comply with the directive(s) listed below.

This declaration of conformity is issued under the sole responsibility of the manufacturer.

Directives: European Machinery Directive 2006/42/EC

Standards: EN ISO 12100:2011 Safety of machinery – General principles for design – Risk assessment and risk reduction

Markings:



The technical documentation for the machinery is available from:

Mr. Joel Nunn
34 Epirus Road, SW6 7UH, London, UK
Email: jnunn@tronair.com

Location of Issue: Tronair, 1 Air Cargo Parkway East, Swanton, OH 43558

Certificate: EU_DoC_01-1292-0000

Identification of person empowered to sign on behalf of the Manufacturer:

Patrick Finch
Quality Assurance Representative

Enter a date

Date

